

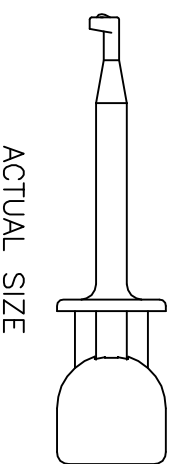
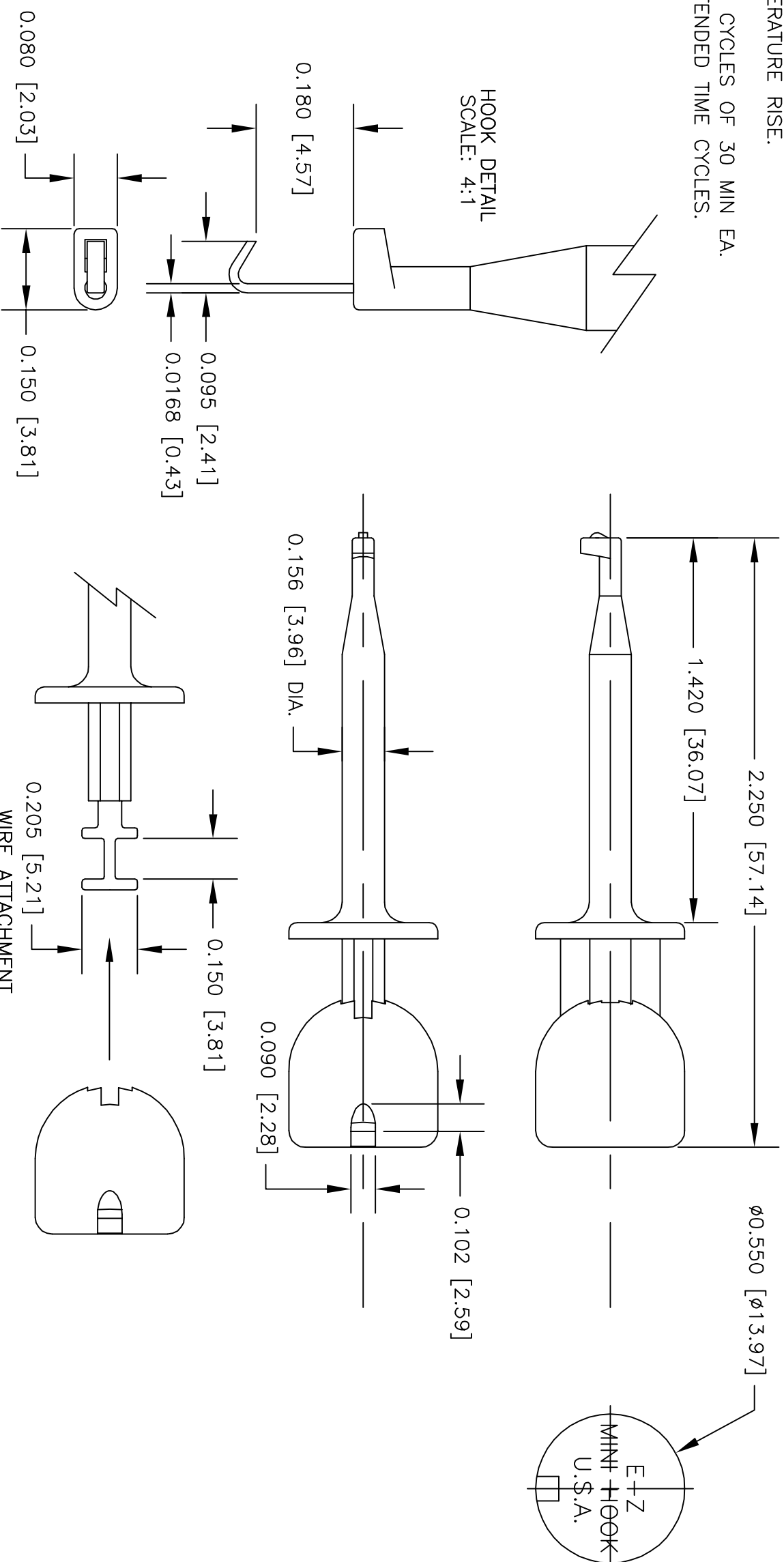
NOTES: UNLESS OTHERWISE SPECIFIED

LTR	DESCRIPTION	DATE	APPROVEI
-----	-------------	------	----------

- CONSTRUCTION: HOUSING & PLUNGER: MOLDED NYLON TYPE 6,6. 33% GLASS FILLED. AVAILABLE IN TEN COLORS. CONTACT BLADE: BERYLLIUM COPPER PER QQ-C-533. GOLD PLATED PER MIL-G-45204 B TYPE 1 0.00001 [0.000254] THICK MINIMUM. SPRING: STAINLESS STEEL TYPE 302.

- PERFORMANCE: MAXIMUM CURRENT: 5.9 AMPS WITH A 77° TEMPERATURE RISE. MAXIMUM VOLTAGE: 5.4 KV MAXIMUM TEMPERATURE: 300°F (150°C) OVER 50 CYCLES OF 30 MIN EA. 250°F (122°C) OVER EXTENDED TIME CYCLES.

- FEATURES: HOOK FITS COMPONENTS UP TO $\phi 0.040$ [$\phi 1.01$]. FIELD SERVICEABLE.



UNLESS OTHERWISE SPECIFIED DIMENSIONS ARE IN INCHES. TOLERANCES ARE: FRACTIONS DECIMALS ANGLES .XX # .XXX # #		CONTRACT NO.		DESCRIPTION	
MATERIAL SEE NOTE.		APPROVALS		E-Z-HOOK DIVISION OF TEKTEST INC. ARCADIA, CA 91006 U.S.A.	
FINISH SEE NOTE.		DATE		E-Z-MINI-HOOK TEST CONNECTOR HI-TEMP	
APPLICATION USED ON		DRAWN R.L.		SIZE CODE IDENT NO. DRAWING NO.	
NEXT ASSY		APPROVED BY		B 08505 X100WXH	
DO NOT SCALE DRAWING		DATE 6/09		SCALE 2:1	
				SHEET 1 OF 1	
				REV	

THE INFORMATION CONTAINED IN THIS DOCUMENT IS PROPRIETARY TO E-Z-HOOK. THE INFORMATION IS NOT TO BE REPRODUCED WITHOUT PRIOR WRITTEN PERMISSION OF E-Z-HOOK, DIV. OF TEKTEST INC. MAXIMUM TESTED RATINGS IN A HANDS-FREE CONTROLLED ENVIRONMENT. MAXIMUM RATINGS ARE NOT TO BE USED CONCURRENTLY.