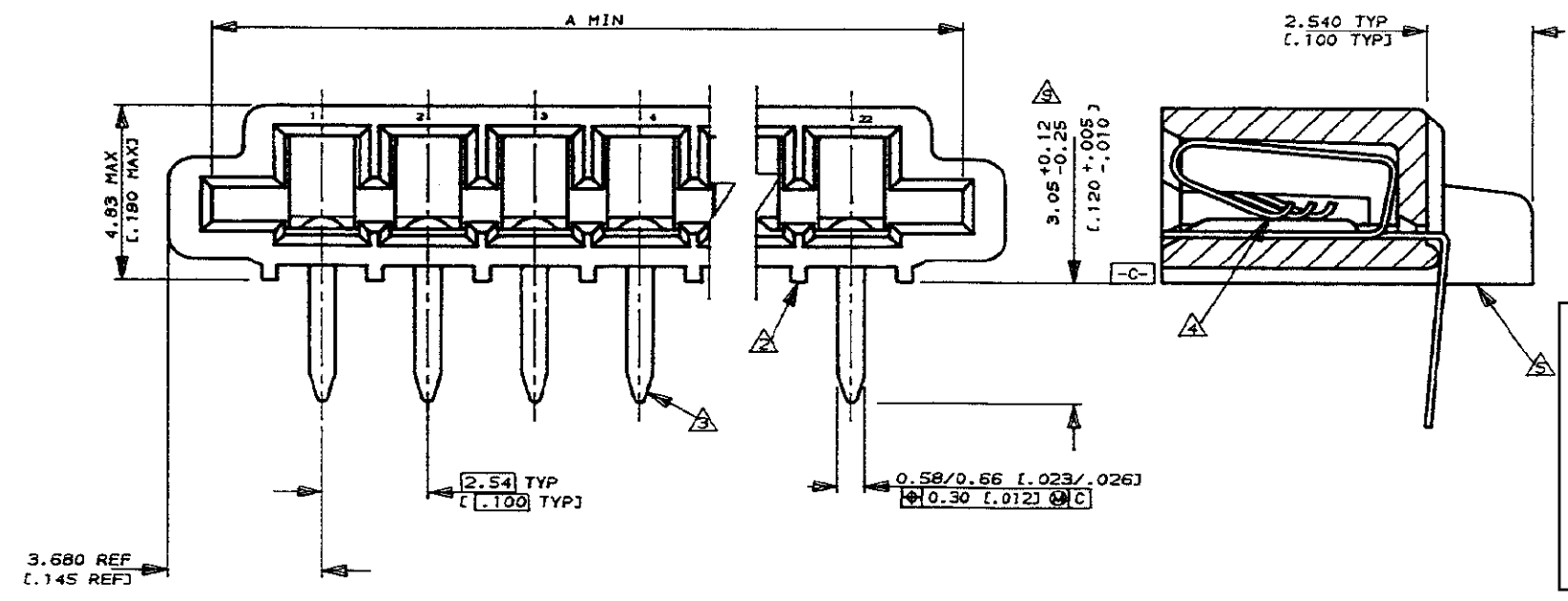
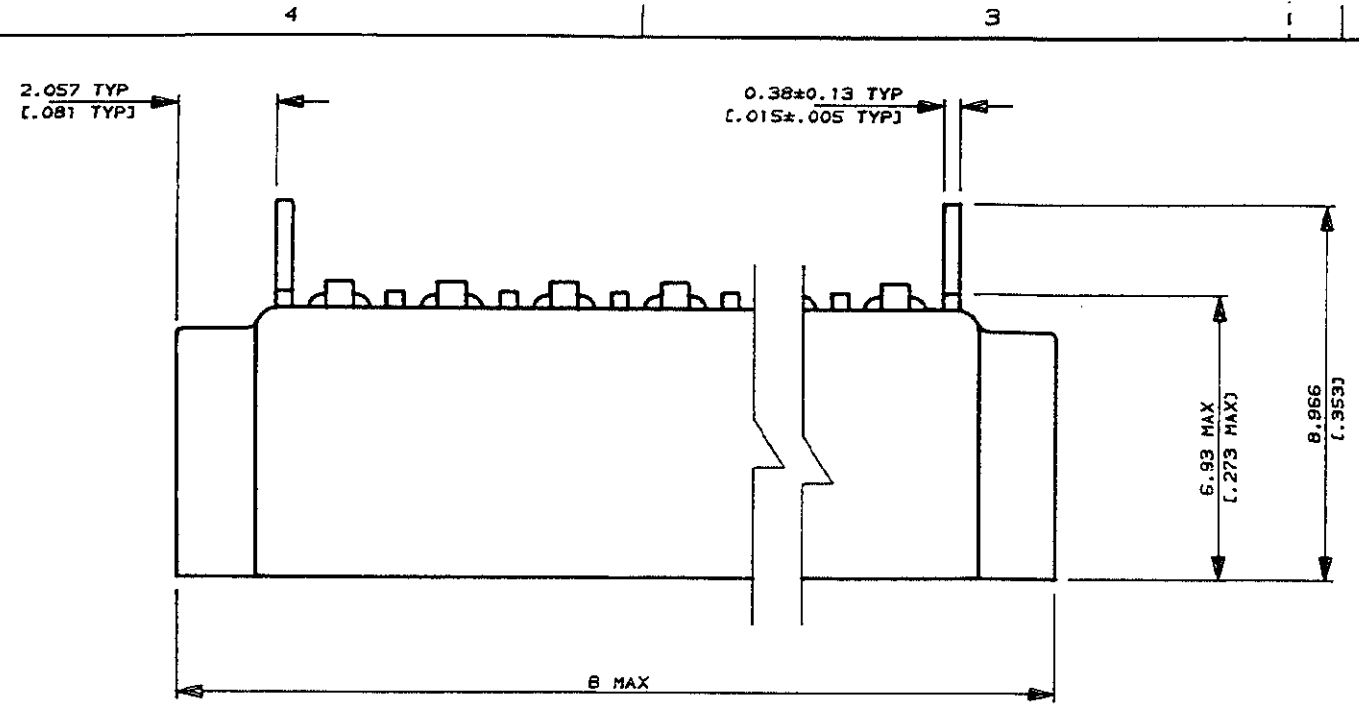


NUMBER 176982
 METRIC
 DIMENSIONS IN MM (INCHES). DO NOT SCALE PRINT
 PRINT DIST



- NOTES**
- CONNECTOR WILL ACCEPT FLEXIBLE PRINTED CIRCUIT OR FLAT FLEXIBLE CABLE ON 2.54 [.100] CENTERS IN A THICKNESS RANGE OF 0.127 TO 0.381 [.005 TO .015] IN CONTACT AREA
 - STAND-OFFS PREVENT SOLVENT ENTRAPMENT
 - LEAD-IN ON PINS FOR EASE OF INSERTION INTO BOARD
 - SEQUENTIAL CONTACTS REDUCE CABLE INSERTION FORCE
 - STABILIZING WING MAY BE REMOVED BY CUSTOMER IF NECESSARY
 - ACCEPTS CABLE OR CIRCUITRY WITH EXPOSED CONDUCTORS FACING TOWARD OR AWAY FROM THE BOARD SURFACE
 - REFER TO APPLICATION SPEC 114-2062
 - MATERIAL
HOUSING : GLASS REINFORCED POLYESTER THERMOPLASTIC UL 94 V0 RATED, BLACK
CONTACT : PHOS BRONZE WITH MATTE TIN FINISH
 - AREA INDICATED SHALL MEET SOLDERABILITY SPEC 109-11-1
 - OBsolete PARTS: OBsolete CIS STREAMLINING PER D.RENAUD/D.SINIS

	LEAD FREE			OBsolete	
7-176982-2	60.78 [2.393]	59.57 [2.306]	22	2-176982-2	
7-176982-1	58.24 [2.293]	56.03 [2.206]	21	2-176982-1	
7-176982-0	55.70 [2.193]	53.49 [2.106]	20	2-176982-0	
6-176982-9	53.16 [2.093]	50.95 [2.006]	19	1-176982-9	
6-176982-8	50.62 [1.993]	48.41 [1.906]	18	1-176982-8	
6-176982-7	48.08 [1.893]	45.87 [1.806]	17	1-176982-7	
6-176982-6	45.54 [1.793]	43.33 [1.706]	16	1-176982-6	
6-176982-5	43.00 [1.693]	40.79 [1.606]	15	1-176982-5	
6-176982-4	40.46 [1.593]	38.25 [1.506]	14	1-176982-4	
6-176982-3	37.92 [1.493]	35.71 [1.406]	13	1-176982-3	
6-176982-2	35.38 [1.393]	33.17 [1.306]	12	1-176982-2	
6-176982-1	32.84 [1.293]	30.63 [1.206]	11	1-176982-1	
6-176982-0	30.30 [1.193]	28.09 [1.106]	10	1-176982-0	
5-176982-9	27.76 [1.093]	25.55 [1.006]	9	176982-9	
5-176982-8	25.22 [.993]	23.01 [.906]	8	176982-8	
5-176982-7	22.68 [.893]	20.47 [.806]	7	176982-7	
5-176982-6	20.14 [.793]	17.93 [.706]	6	176982-6	
5-176982-5	17.60 [.693]	15.39 [.606]	5	176982-5	
5-176982-4	15.06 [.593]	12.85 [.506]	4	176982-4	
5-176982-3	12.52 [.493]	10.31 [.406]	3	176982-3	
5-176982-2	9.98 [.393]	7.77 [.306]	2	176982-2	

					PART NO	B	A	POS	PART NO	
Copyright ©1993					Copyright ©1993 TE MFG (S) PTE LTD. ALL RIGHTS RESERVED.					
					TE TE Connectivity					
C3	ECR-10-022530	KK	HMR	03FEB11	(WIRE RANGE)	(INSULATION DIA.)	(NAME)			
C2	REVISED PER ECO-09-022424	KK	AEG	01OCT09	mm ² (AWG -)	mm	TRIOMATE HORIZONTAL CABLE ENTRY FOR 1.57 [.062] THK P.C. BOARD			
C1	REVISED AS PER ECR-06-04332	PM	KS	21FEB06	(MATERIAL)	(FINISH) CONTACTS MATE TIN/LEAD PLATED	(GENERAL TOLERANCE)	SIZE	LOC	(No.)
C	FR00-0011-04	SD	PCH	19-FEB-04	DR. WYLEE 20.7.93	DE. A. SOH	±0.38	A3	DY	176982
B	REDRAWN DY/EC/0784	LWY	SL	20.7.93	CHK. SALLY 20.7.93	APP. PETER de JONG	[±.015]	(SCALE) 6:1	REV. C3	SHEET 1 OF 1
LTR	(REVISION RECORD)	DR	CHK	DATE						

(CUSTOMER DRAWING)