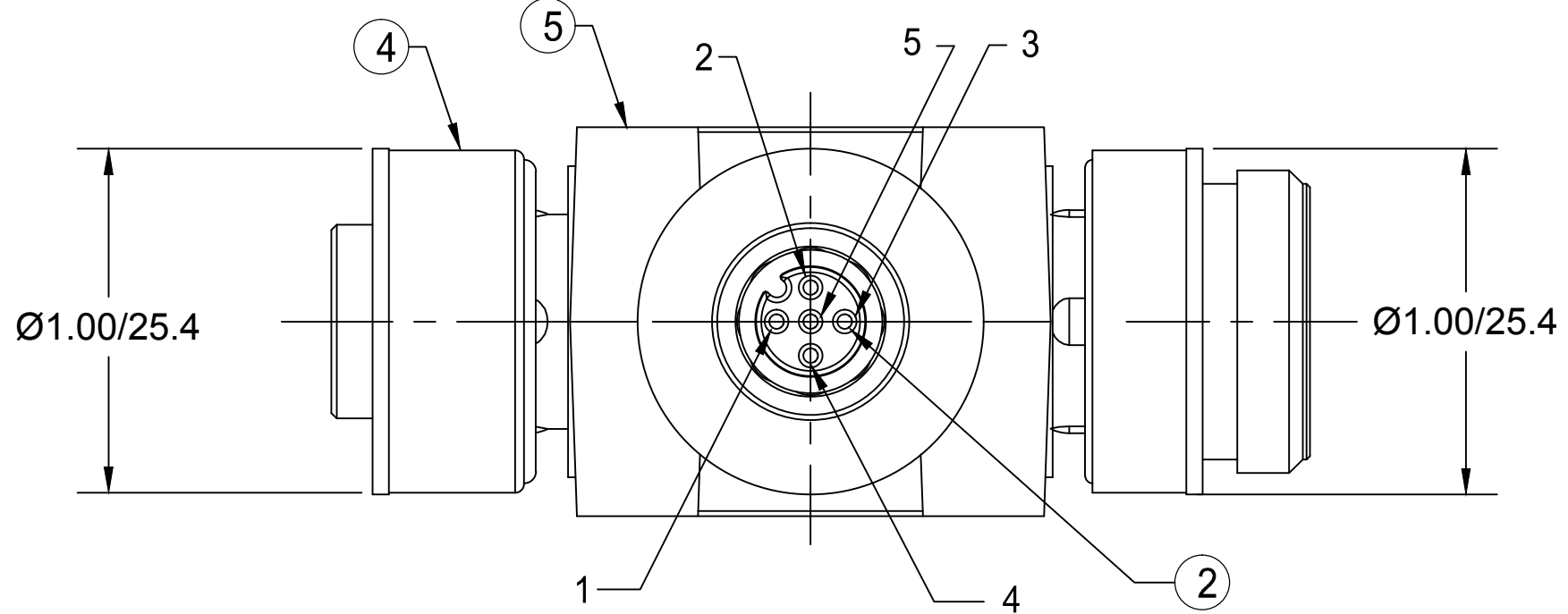
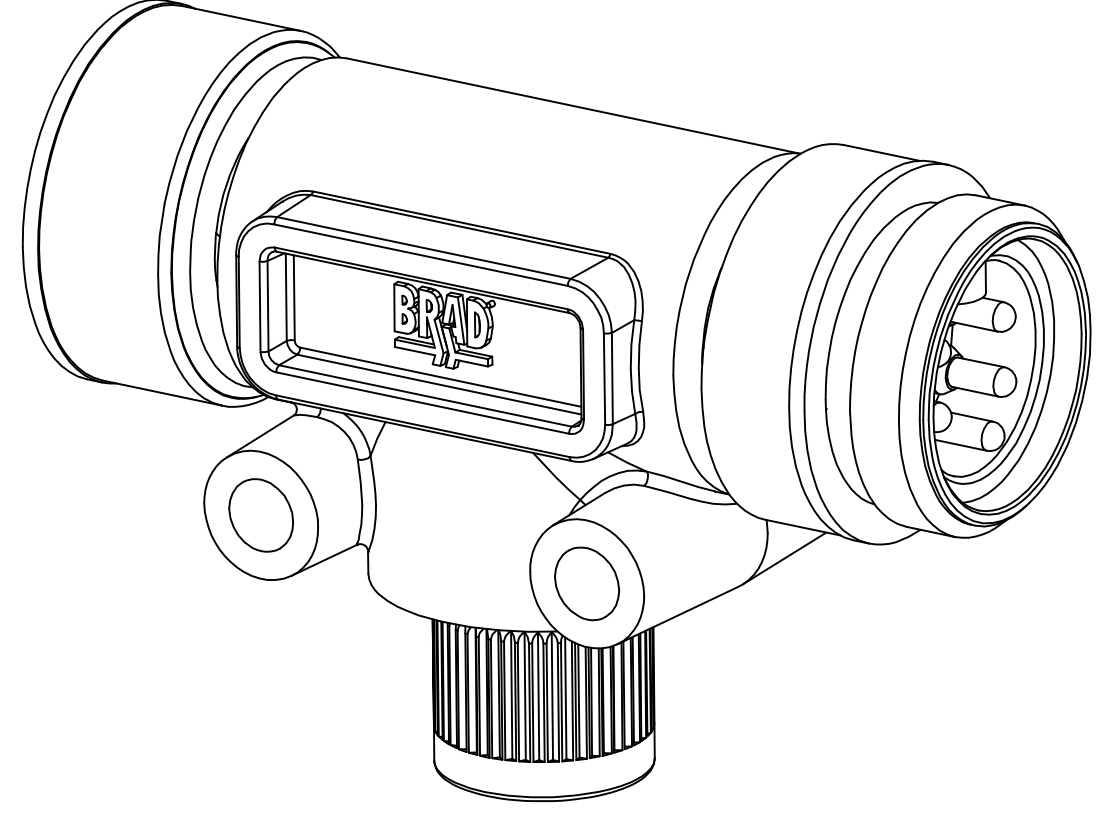
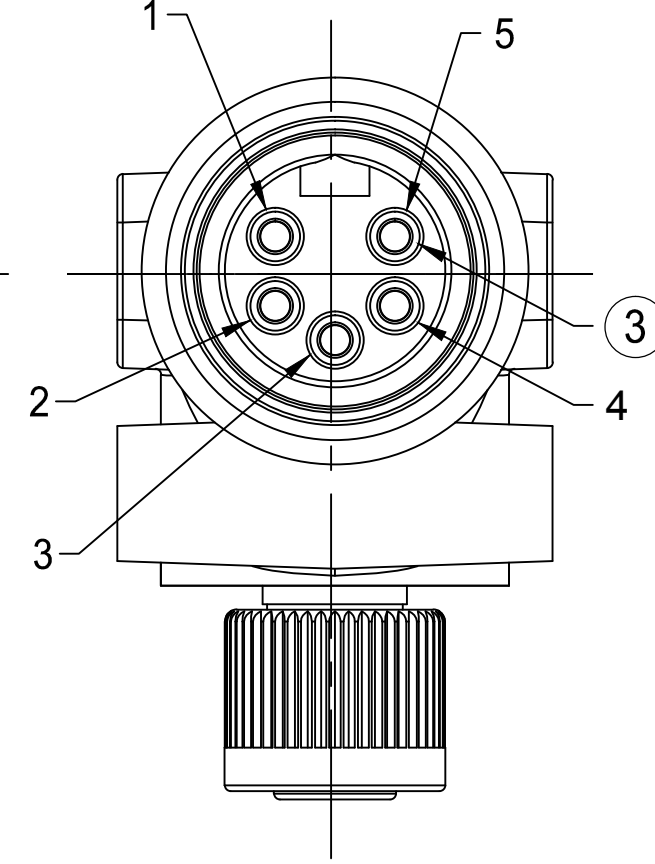
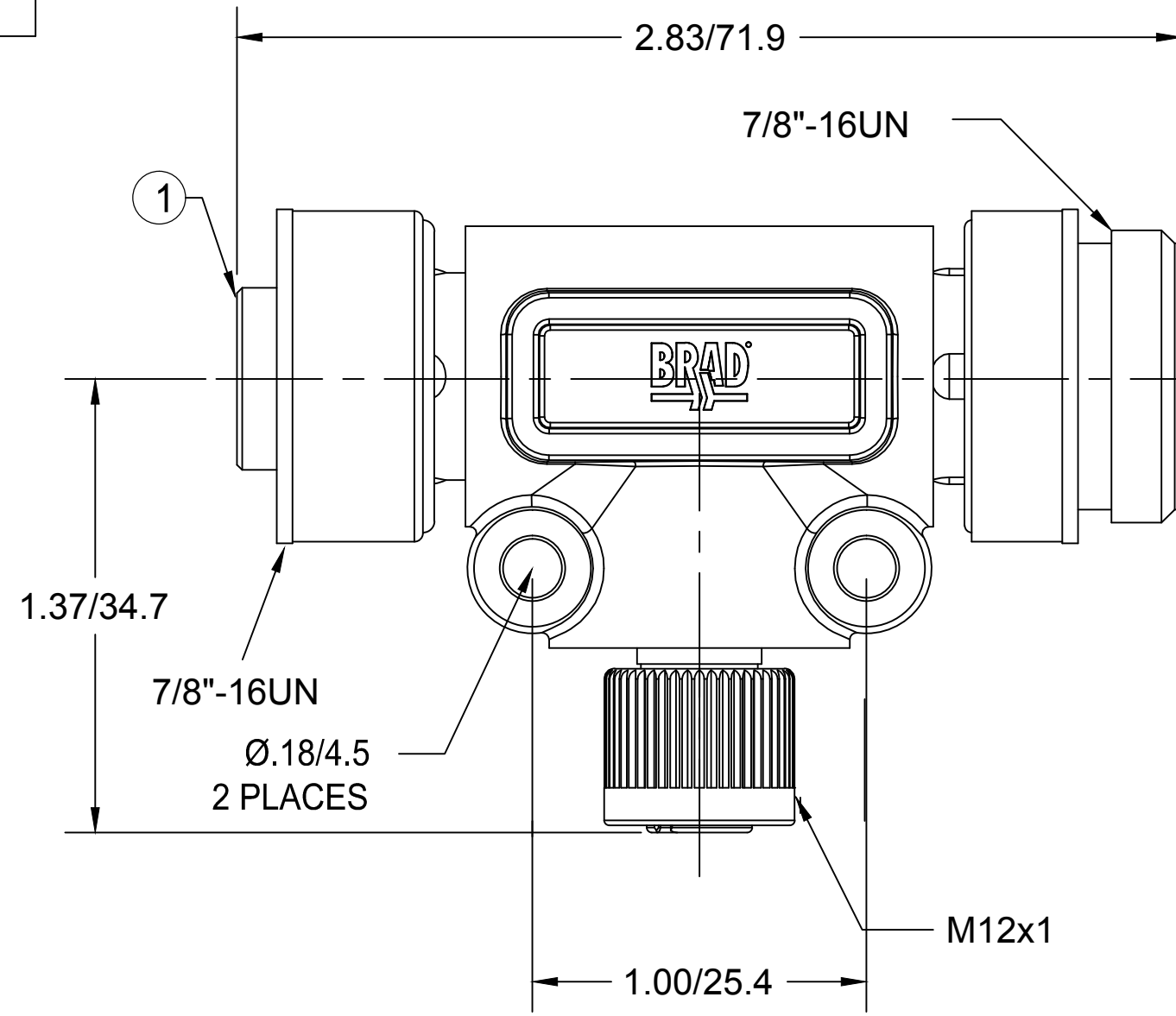
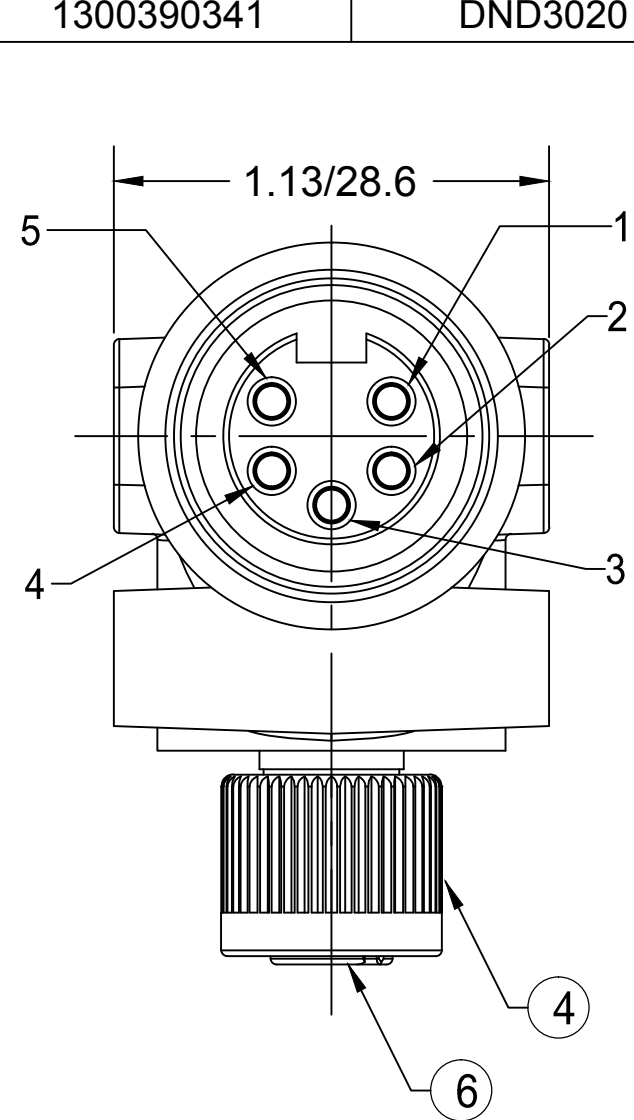
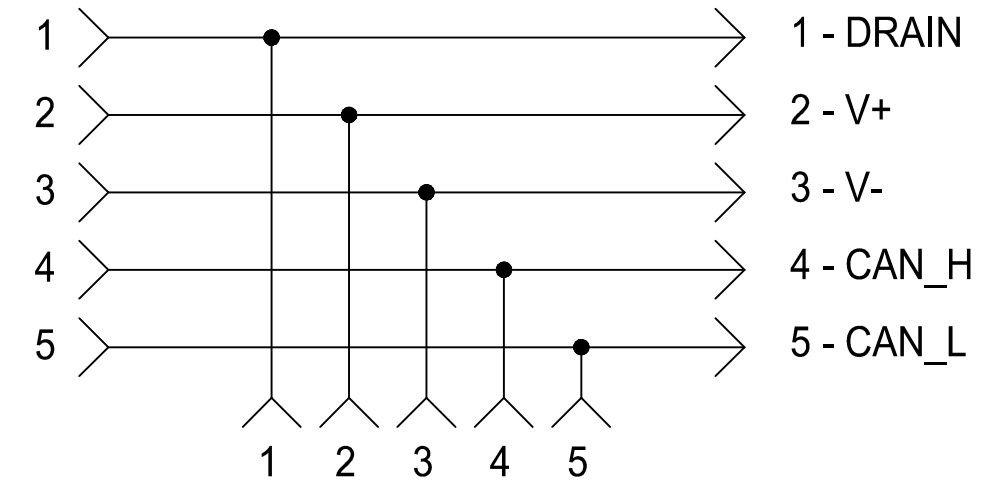


MATERIAL NUMBER	OLD PART NUMBER
1300390341	DND3020



**SCHEMATIC**



VOLTAGE RATING	250 VAC/VDC
AMPERAGE RATING	4 AMPS
PROTECTION	IP67
OPERATING TEMPERATURE	-20°C TO 80°C
UL CERTIFICATIONS	UL RECOGNIZED, FILE NO. E152210
CSA CERTIFICATIONS	CSA CERTIFIED, FILE NO. LR6837

ITEM	COMPONENT	MATERIAL	FINISH
1	INSERT	TPE	GRAY
2	CONTACT SOCKET	COPPER ALLOY	GOLD OVER NICKEL
3	CONTACT PIN	COPPER ALLOY	GOLD OVER NICKEL
4	COUPLING NUT	ZINC DIE CAST	BLACK E-COATED
5	OVERMOLD	TPE	GRAY
6	INSERT	NYLON 6/6	BLACK

REV D	DESCRIPTION	QUALITY SYMBOL
B	REVISED MAT NO IN TITLE BLOCK	▽=0
	EC NO: IFCG2013-1735	▽C=0
	DRWN: RSTONE 2013/05/10	
	CHKD: BW	
	APPR: BWOODMAN	

GENERAL TOLERANCES (UNLESS SPECIFIED)	
	mm INCH
4 PLACES	±--- ±---
3 PLACES	±--- ±---
2 PLACES	±--- ±.01
1 PLACE	±0.3 ±---
ANGULAR ±---°	
DRAFT WHERE APPLICABLE MUST REMAIN WITHIN DIMENSIONS	

DIMENSION STYLE		SCALE	DESIGN UNITS	THIRD ANGLE PROJECTION
IN/MM		---	INCH	
DRAWN BY	DATE	TITLE		
RSTONE	2013/05/10	MINI-CHANGE 5 POLE TEE DEVICENET W/M12 DROP		
CHECKED BY	DATE	---		
BW	2013/05/14	Molex MOLEX INCORPORATED		
APPROVED BY	DATE	DOCUMENT NO. SD-130039-010 SHEET NO. 1 OF 1		
---	---	SEE CHART		
MATERIAL NO.	THIS DRAWING CONTAINS INFORMATION THAT IS PROPRIETARY TO MOLEX INCORPORATED AND SHOULD NOT BE USED WITHOUT WRITTEN PERMISSION			
SIZE C				