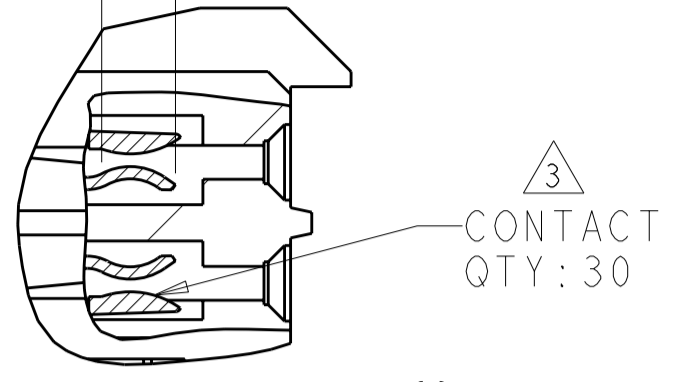


THIS DRAWING IS UNPUBLISHED. RELEASED FOR PUBLICATION 2000
 © COPYRIGHT 2000 ALL RIGHTS RESERVED.

LOC	DIST	REVISIONS			
P	LTR	DESCRIPTION	DATE	DWN	APVD
AD	00	A	REVISED PER ECO-11-013132	13JUL2011	HMR MH

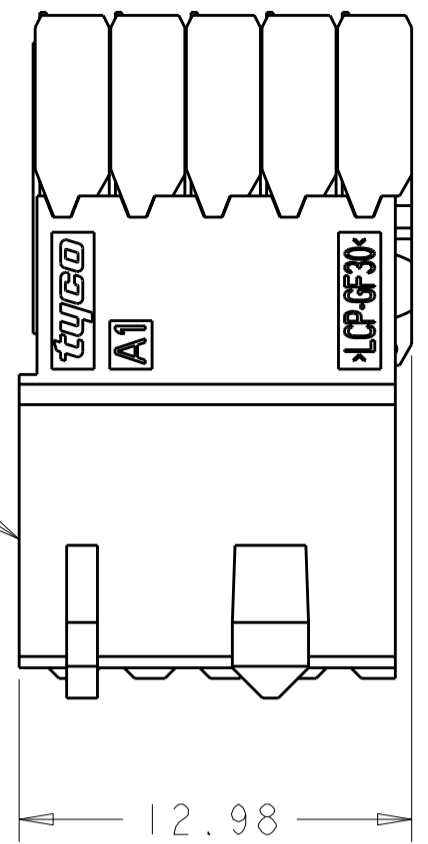
CONTACT AREA TYPICAL



CONTACT QTY: 30

DETAIL SCALE M 8:1

HOUSING QTY: 1



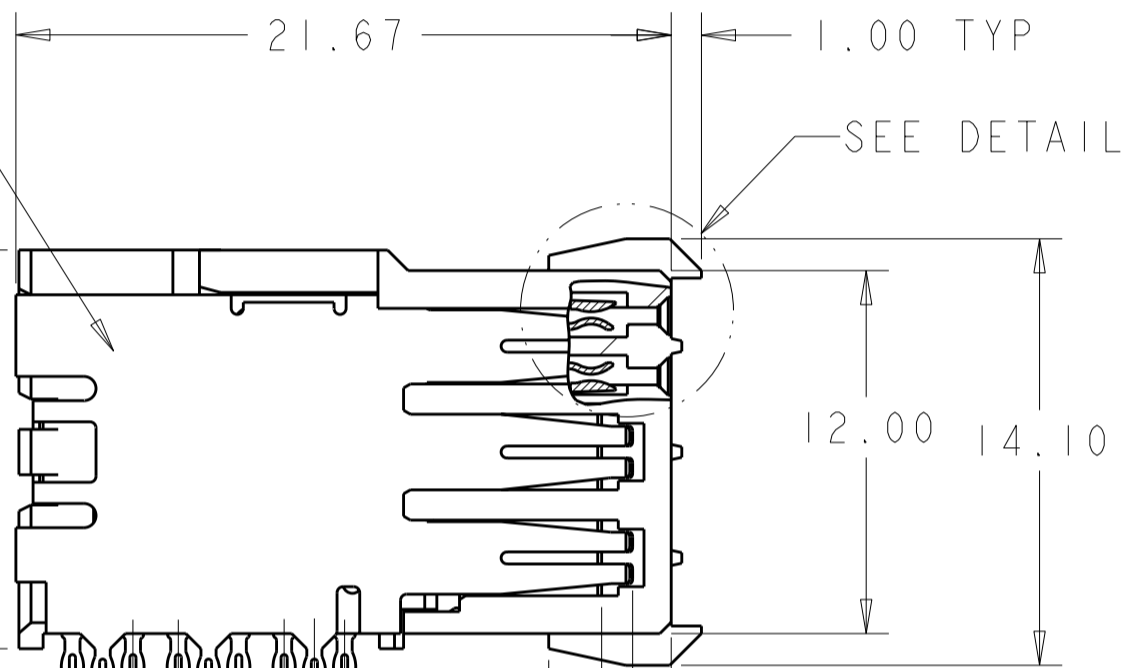
12.98

SHIELD QTY: 5

13.18 +0.20 / 0

2.10 TERMINATION AREA

2.25 TERMINATION AREA



21.67 1.00 TYP

SEE DETAIL M

12.00 14.10

1.50 TYP

2.00 TYP

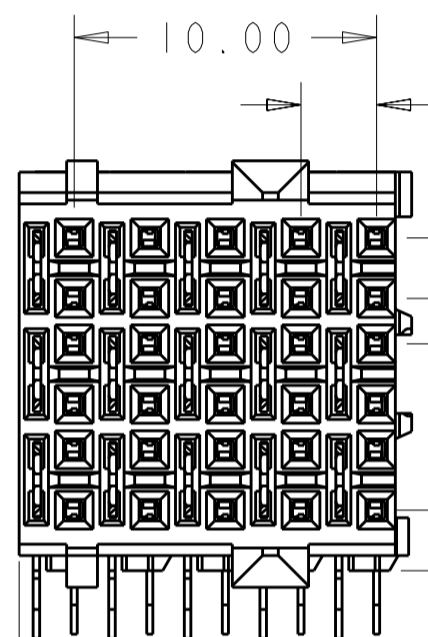
1.00 TYP

10.80 TYP

CONTACT AREA TYPICAL

4.05 TYP

1.82



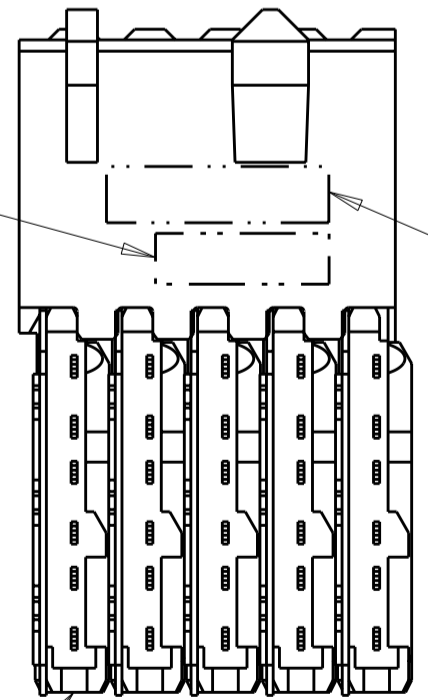
10.00

2.50 TYP

2.00 TYP

1.50 TYP

2.00 DISTANCE FROM ROW "a" TO BOARD SURFACE



CHICKLET QTY: 5

LOCATION REF

a b c d e f

CONTACT MATING AREA MEETS THE PERFORMANCE REQUIREMENTS OF TE CONNECTIVITY PRODUCT SPECIFICATION 108-1957; BASED ON TELCORDIA GR-1217-CORE, APPLICATIONS IN UNCONTROLLED ENVIRONMENTS.

0.76µm MIN TIN OVER 1.27µm MIN NICKEL.

MATERIAL:
 CONTACT - COPPER ALLOY
 SHIELD - PHOSPHOR BRONZE
 HOUSING AND CHICKLET - GLASS FILLED POLYESTER

REFERENCE APPLICATION SPEC 114-13020 FOR RECOMMENDED PLATED THRU HOLE DIAMETER AND PLATING THICKNESS.

DATUM AND BASIC DIMENSION ESTABLISHED BY CUSTOMER.

SEATING HEIGHT TO BOARD SURFACE.

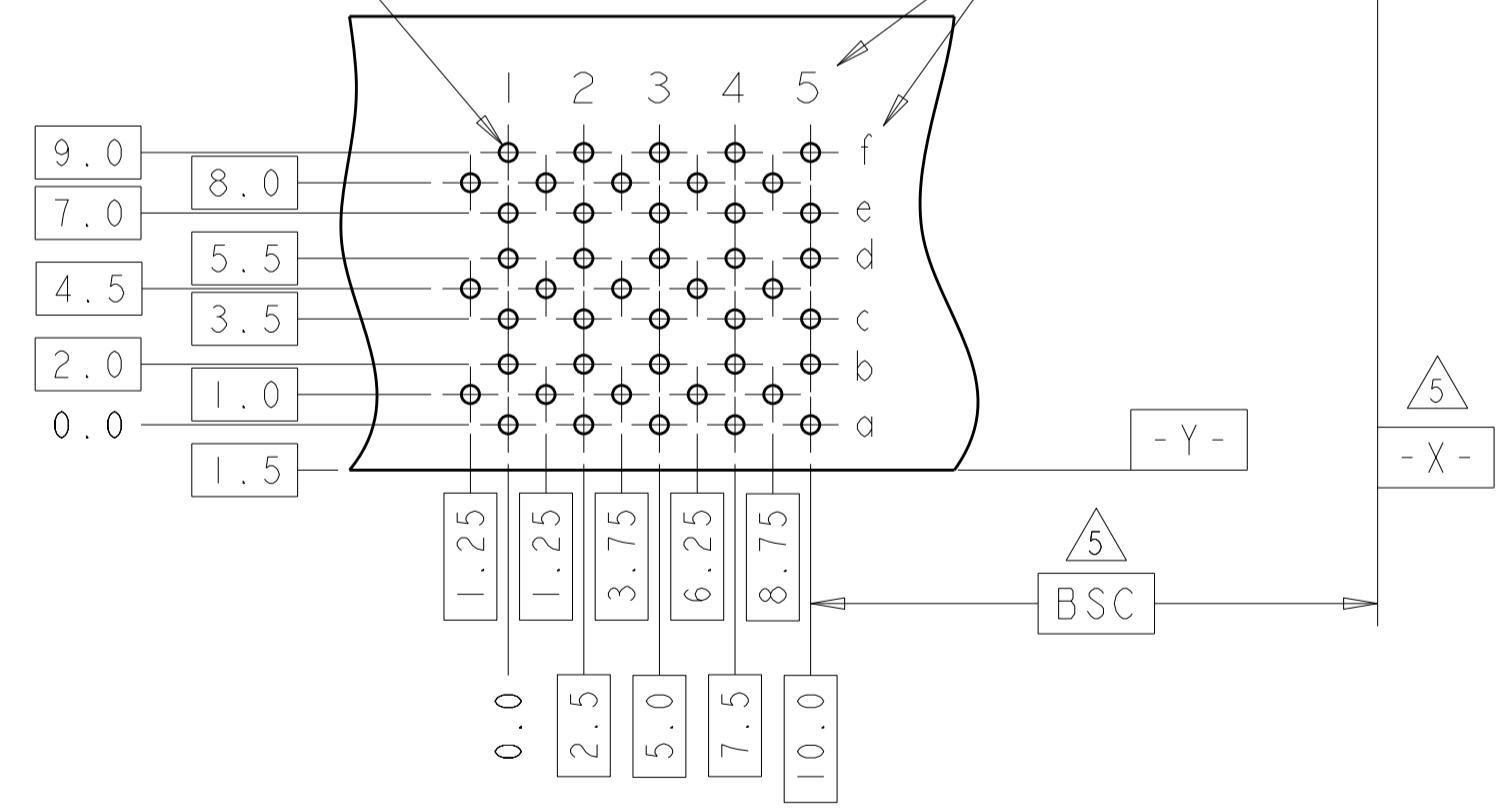
CONTACT AREA LUBRICATED WITH BELLCORE APPROVED LUBRICANT. TECHNICAL REFERENCE: GR-1217-CORE, ISSUE 1, NOVEMBER 1995.

DATE CODE

PART NUMBER

PLATED THRU HOLE TYP

LOCATION REF



RECOMMENDED PRINTED CIRCUIT BOARD LAYOUT
 COMPONENT SIDE OF PRINTED CIRCUIT BOARD

120978-1
 PART NUMBER

THIS DRAWING IS A CONTROLLED DOCUMENT.		DWN B. CARBO 19SEP05	TE Connectivity	
DIMENSIONS: mm		CHK R. PATTERSON 19SEP05		
TOLERANCES UNLESS OTHERWISE SPECIFIED:		APVD R. PATTERSON 19SEP05	NAME RECEPTACLE ASSEMBLY, 30 POSITION	
0 PLC ±		PRODUCT SPEC 108-1957	6 ROW, DUAL BEAM, Z-PACK HS3	
1 PLC ±		APPLICATION SPEC 114-13020	SIZE A2	CAGE CODE 00779
2 PLC ±0.13		WEIGHT -	DRAWING NO C-120978	RESTRICTED TO -
3 PLC ±0.050		CUSTOMER DRAWING		
4 PLC ±		SCALE 4:1		
ANGLES ±		SHEET 1 OF 1		
FINISH SOLDER TAIL: 2		REV A		
CONTACT: 1				