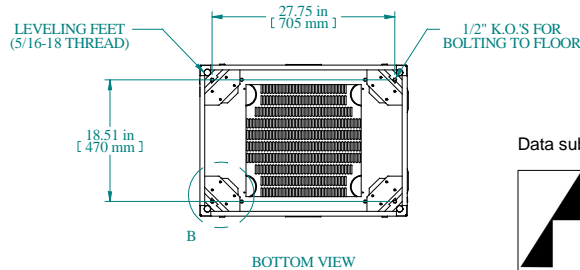
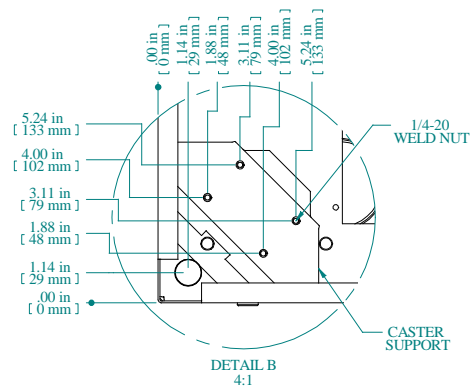


FRONT VIEW DOORS REMOVED

FRONT VIEW

RIGHT SIDE VIEW

REAR VIEW



Item Number	Title	Quantity
1	C2 - CABINET FRAME	1
2	COMBINATION RAILS TAPPED (PAIR)	2
3	C2 - VENTED CABLE ENTRY TOP	1
4	C2 - SIDE PANELS (PAIR)	1
5	C2 - FLUSH PLEXI DOOR	1
6	C2 - FLUSH LOUVERED DOOR	1

PART NUMBERS	
C2RR197031DBK1	PAINTED BLACK TEXTURED
C2RR197031DCG1	PAINTED CONT. GRAY TEXTURED

NOTES	
Welded Assembly	
See Hammond Website for Additional Accessories	

Data subject to change without notice. Isometric drawing not to scale.

**HAMMOND
MANUFACTURING™**

www.hammondmfg.com

PART NO. C2RR197031D