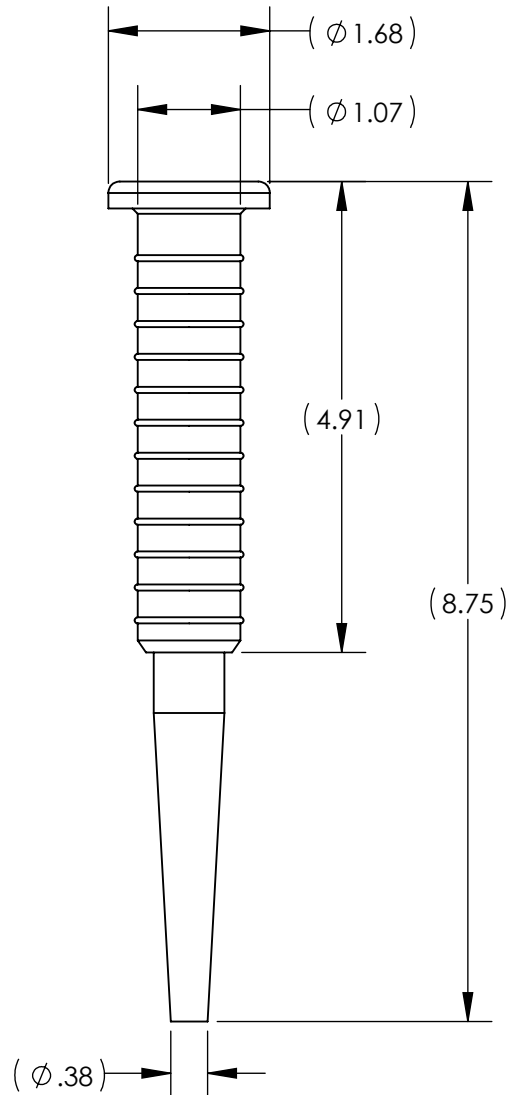


DIMENSIONS

name	date	city, state

NOTES

TO BE USED WITH PANEL RIVET - PR1



REVISION

D	level	01
R	by	AAC
A	date	10/13/12
W	ECN #	012203
I	part level	

DIMENSIONS

TOLERANCES	.XXXX = ±.0005
	.XXX = ±.005
	.XX = ±.01
	.X = ±.03
	∠ = ±0.5°
	unless otherwise specified
units	inches

PART

number	PRT1	phase	Production
name PANEL RIVET TOOL			
material ABS - YELLOW			

DRAWING

format	AV	CAD	SW 2011	scale	1:2
computer file number	MI3027002CST_01		previous number		
d	AAC	KAC			
r	10/13/12	10/15/12			
s	Customer		sheet 1 of 1		
w	number MI3027002CST				