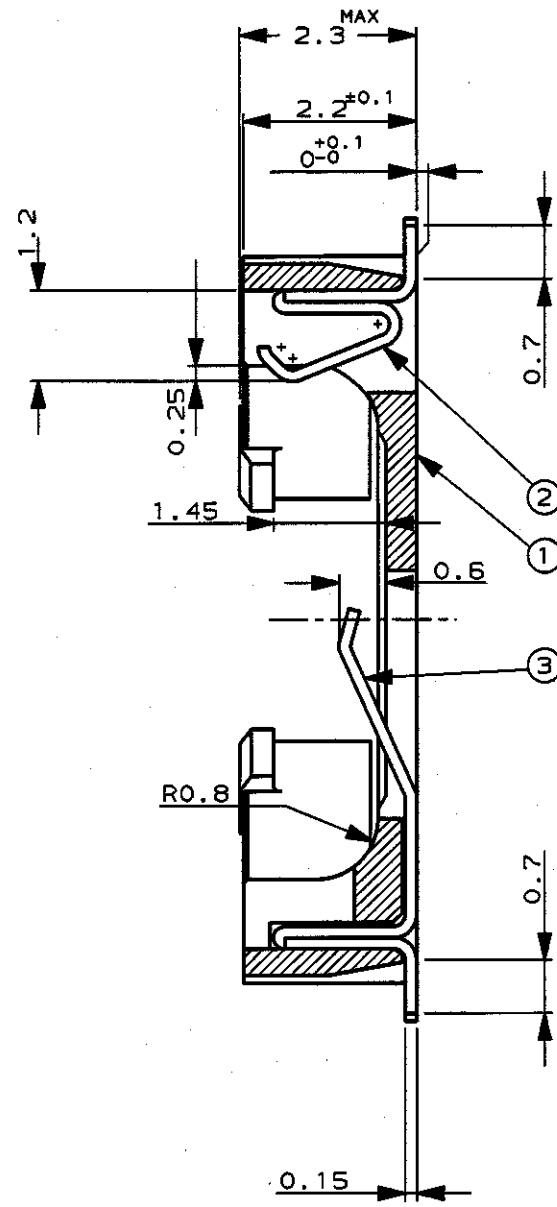
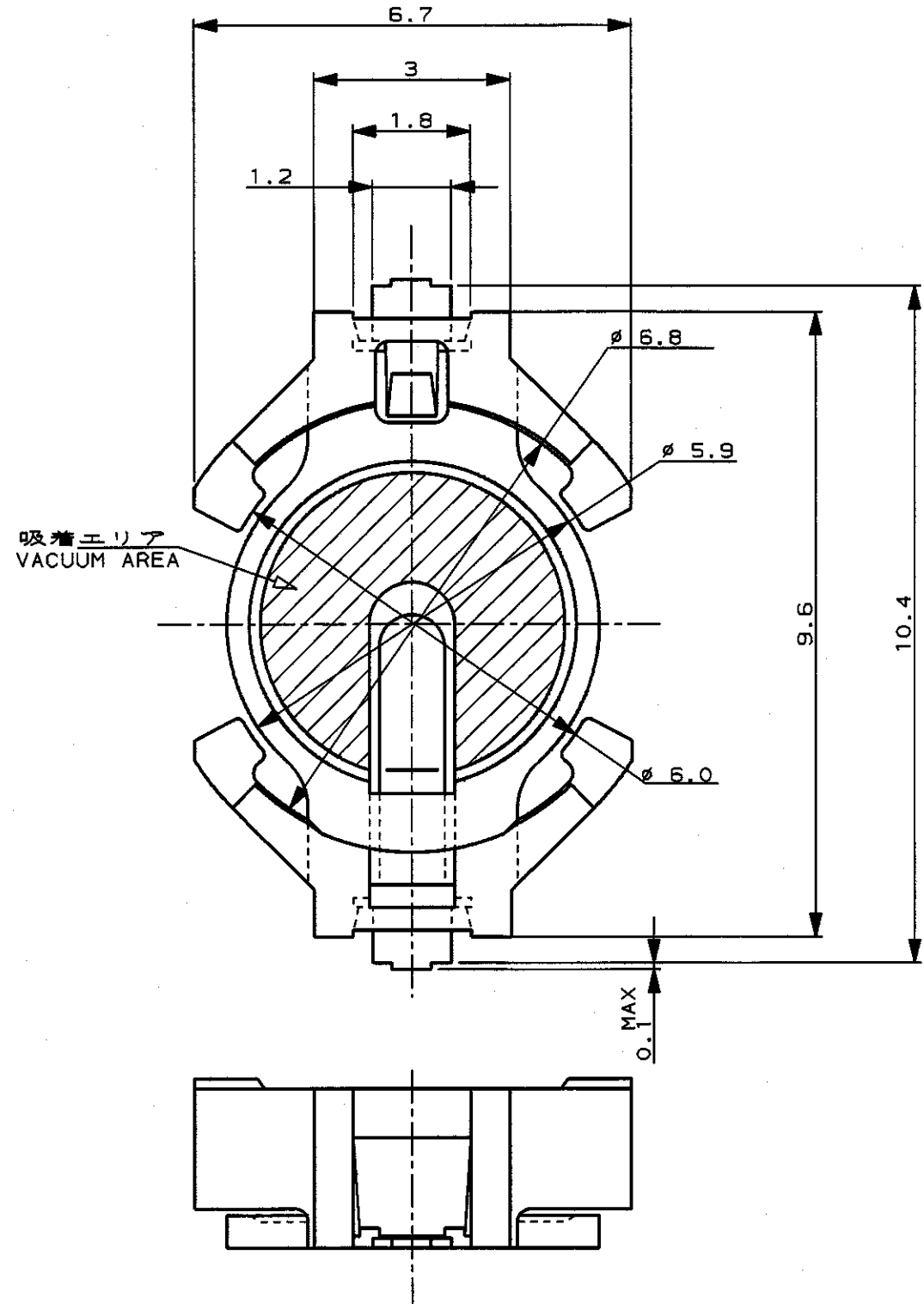


LOC J
DIST

REVISIONS

| P | LTR | DESCRIPTION | ECN | DATE | DWN | APVD |
|---|-----|-------------|--------------|----------|-----|------|
| 0 | | RELEASED | FJ00-1654-98 | 16NOV'98 | T.K | K.K |
| A | | REVISED | FJ00-0396-99 | 23APR'99 | T.K | K.K |



注記

△ 重量 0.073g
 2. エンボステープ入り型番: 1318164-1
 単品型番: 1318164-2

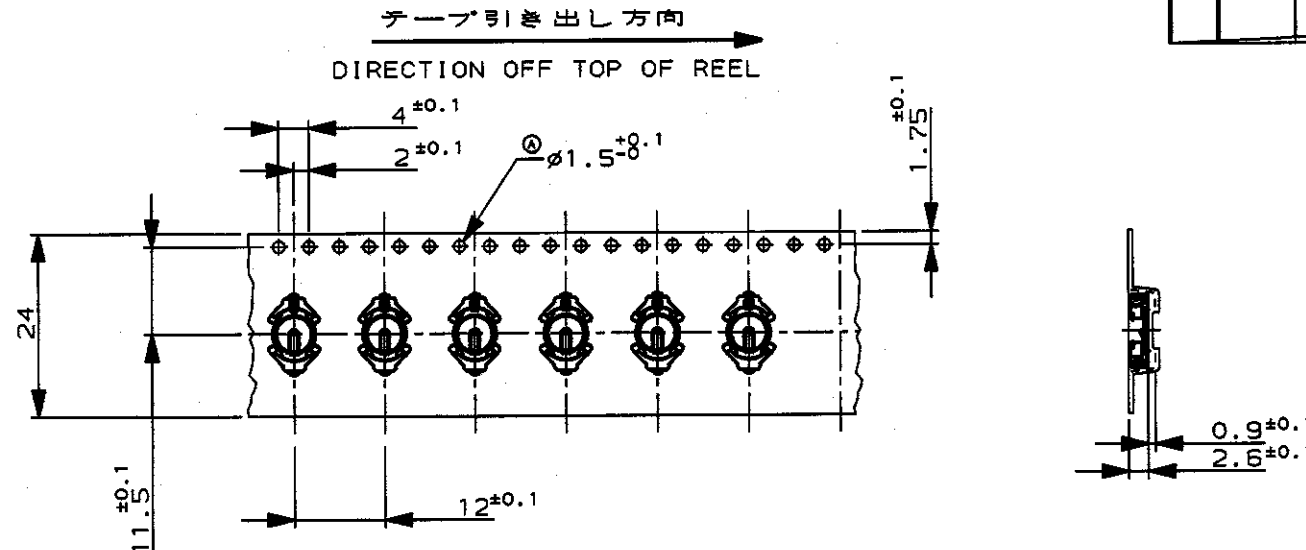
NOTES

△ NET WEIGHT, 0.073g
 2. P/N WITH EMBOSS TAPE : 1318164-1
 LOOSE PIECE : 1318164-2

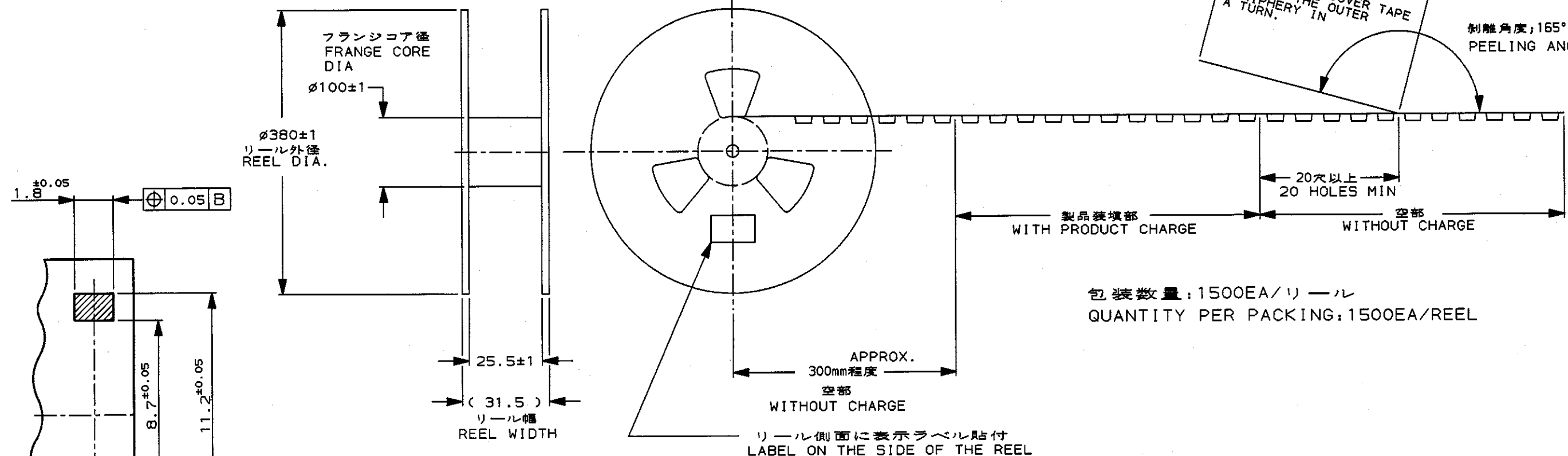
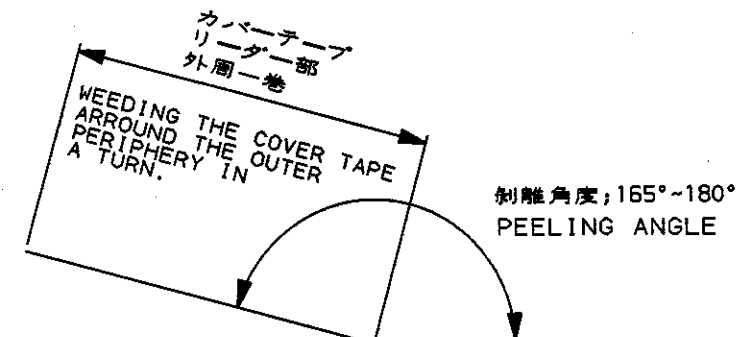
| MATERIAL | NAME | ITEM |
|--|-----------|------|
| STAINLESS STEEL | - CONTACT | ③ |
| STAINLESS STEEL | + CONTACT | ② |
| THERMOPLASTIC (HIGH TEMPERATURE NYLON) | HOUSING | ① |

| | | | |
|---|--|-----------------------------------|--|
| THIS DRAWING IS A CONTROLLED DOCUMENT FOR AMP INCORPORATED. IT IS SUBJECT TO CHANGE AND THE CONTROLLING ENGINEERING ORGANIZATION SHOULD BE CONTACTED FOR THE LATEST REVISION. | | OWN T. KIMURA 13/NOV/1998 | AMP 株式会社アールピー Kawasaki, Japan |
| DIMENSIONS 単位: 概 mm | | CHK K. KODAIRA 16/NOV/1998 | |
| TOLERANCES UNLESS OTHERWISE SPECIFIED 一般公差 10mm : ±0.15 30mm : ±0.25 100mm : ±0.3 ANGLE : ±3° | | APVD K. KODAIRA 16/NOV/1998 | NAME 名称 |
| MATERIAL 材料 SEE TABLE | | FINISH 仕上 | PRODUCT SPEC 製品規格 108-5631 |
| WEIGHT 重量 △ | | CUSTOMER DRAWING | BATTERY HOLDER FOR ML614 |
| SCALE 尺度 10/1 | | SIZE A3 | CAGE CODE 00779 |
| SHEET 1 | | DRAWING NO C=1318164 | RESTRICTED TO |
| OF 2 | | REV A | |

| LOC | | DIST | | REVISIONS | | | | | |
|-----|--|------|--|-----------|-------------|-----|------|-----|------|
| | | | | 変更 | DESCRIPTION | ECN | DATE | DWN | APVD |
| J | | | | | SEE 1 OF 2 | | | | |



エンボステープ包装図
ENBOSS TAPING (SCALE, 1-1)



推奨基板パターン形状
RECOMMENDED PATTERN DIMENSION
(scale, 5-1)

| | | | |
|---|--|----------------------------|---|
| THIS DRAWING IS A CONTROLLED DOCUMENT FOR AMP INCORPORATED. IT IS SUBJECT TO CHANGE AND THE CONTROLLING ENGINEERING ORGANIZATION SHOULD BE CONTACTED FOR THE LATEST REVISION. | | OWN | AMP 日本エー・エム・ピー株式会社 Kawasaki, Japan |
| DIMENSIONS: 単位: 純 mm | TOLERANCES UNLESS OTHERWISE SPECIFIED | CHK | |
| MATERIAL 材料 | FINISH 仕上 | APVD | NAME 名称 |
| | | PRODUCT SPEC 製品規格 | BATTERY HOLDER FOR ML614 |
| | | APPLICATION SPEC 取付通用規格 | SIZE CAGE CODE DRAWING NO 番号 |
| | | WEIGHT | A3 00779 C-1318164 |
| CUSTOMER DRAWING | | | RESTRICTED TO |
| | | SCALE 尺度 | SHEET # |
| | | | 2 OF 2 |
| | | | REV A |