

10 9 8 7 6 5 4 3 2 1

F

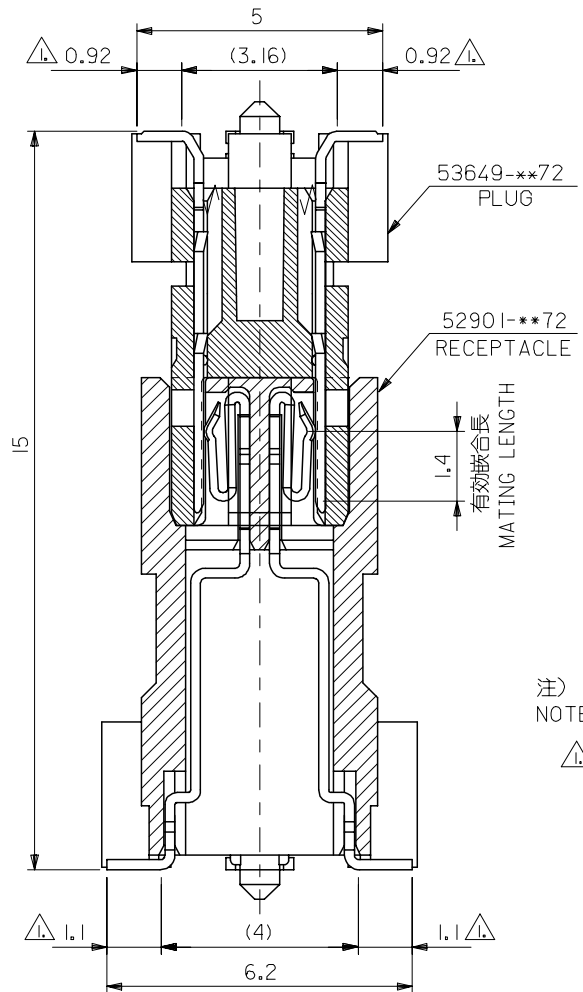
E

D

C

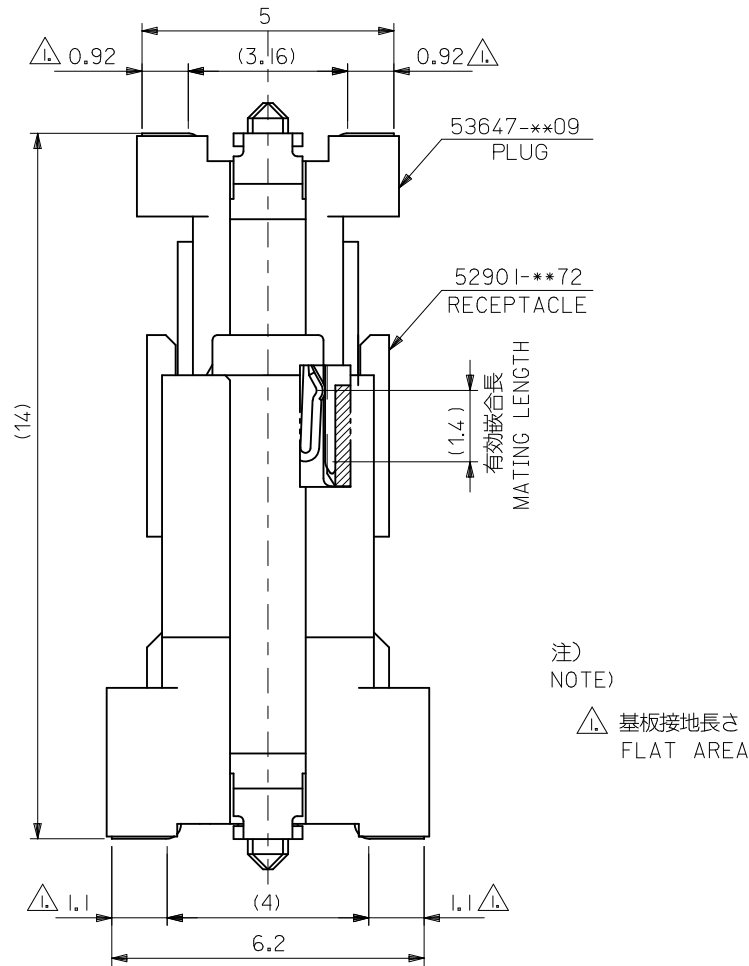
B

A



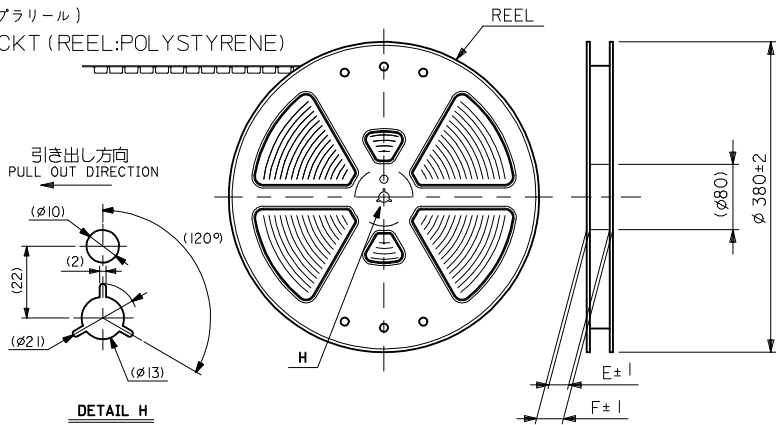
注)
NOTE)
△ 基板接地長さ
FLAT AREA

RELEASED EC NO: J2005-3798 DRW: KENSUZUKI 2005/06/20 CHK: D: NUKITA 2005/06/20 APPR: NUKITA 2005/06/23	GENERAL TOLERANCES (UNLESS SPECIFIED)		DIMENSION STYLE MM ONLY		SCALE 10:1	DESIGN UNITS METRIC	THIRD ANGLE PROJECTION	
	10 UNDER	± 0.2	DRAWN BY KENSUZUKI	DATE 2005/06/20	TITLE 0.635 PITCH B TO B CONN. 52901/53649 SERIES MATING CROSS SECTION			
	10 OVER 30 UNDER	± 0.25	CHECKED BY NUKITA	DATE 2005/06/20				
	30 OVER	± 0.3	APPROVED BY NUKITA	DATE 2005/06/20	MOLEX INCORPORATED SEE DRAWING SD-52901-015			
	ANGULAR	± 3 °	MATERIAL NO.					
0	REV	DRAFT WHERE APPLICABLE MUST REMAIN WITHIN DIMENSIONS		SIZE A3	THIS DRAWING CONTAINS INFORMATION THAT IS PROPRIETARY TO MOLEX INCORPORATED AND SHOULD NOT BE USED WITHOUT WRITTEN PERMISSION			



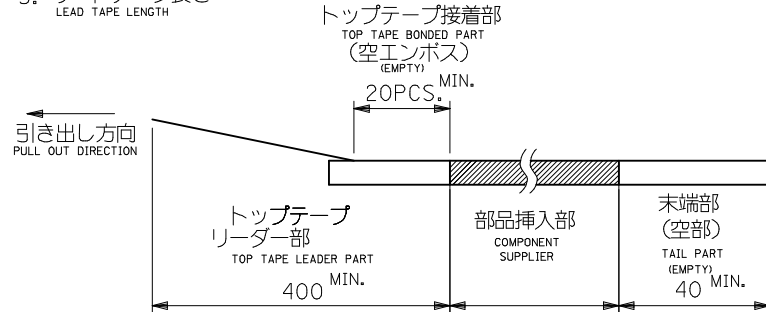
RELEASED EC NO: J2012-1293 DRWN:TKAIHO CHKD:TASAKAWA APPR:MSASAO 2012/04/09 2012/04/10 2012/04/13	GENERAL TOLERANCES (UNLESS SPECIFIED)		DIMENSION STYLE MM ONLY	SCALE 10:1	DESIGN UNITS METRIC	THIRD ANGLE PROJECTION
	10 UNDER	± 0.2	DRAWN BY TKAIHO	DATE 2012/04/09	TITLE 0.635 BB CONN. 52901/53647 SERIES MATING DRAWING	
	10 OVER 30 UNDER	± 0.25	CHECKED BY TASAKAWA	DATE 2012/04/10		
	30 OVER	± 0.3	APPROVED BY MSASAO	DATE 2012/04/13	molex DOCUMENT NO. SD-52901-017 SHEET NO. 1 OF 1	
ANGULAR ±3 °		MATERIAL NO. SEE DRAWING				
DRAFT WHERE APPLICABLE MUST REMAIN WITHIN DIMENSIONS		THIS DRAWING CONTAINS INFORMATION THAT IS PROPRIETARY TO MOLEX INCORPORATED AND SHOULD NOT BE USED WITHOUT WRITTEN PERMISSION				

140極に対応(ブラリール)
FOR 140 CKT (REEL:POLYSTYRENE)



注)
NOTES

1. 製品番号 53649-***72 の詳細寸法については、SD-53649-004 を参照下さい。
IN THE PACKAGE , PART NO. 53649-***72 DETAILED DIMENSIONS , SEE SD-53649-004
2. 梱包数量 : 760 個/リール
NUMBER OF CONNECTORS : 760 PCS/REEL
3. リードテープ長さ
LEAD TAPE LENGTH



4. トップテープの剥離強度 (剥離方向は下図参照)

PEELING OFF FORCE OF TOP TAPE (PEELING DIRECTION AS SHOWN IN FOLLOWING FIG.)

0.1 - 1.3 N (30,40,60,80,100CKT)

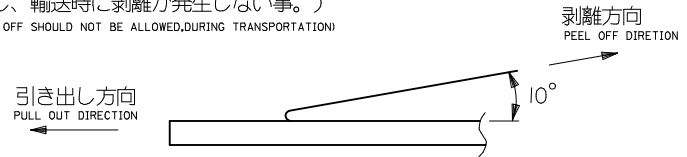
0.1 - 1.5 N (140CKT)

尚、本規格値は、出荷時に適用。

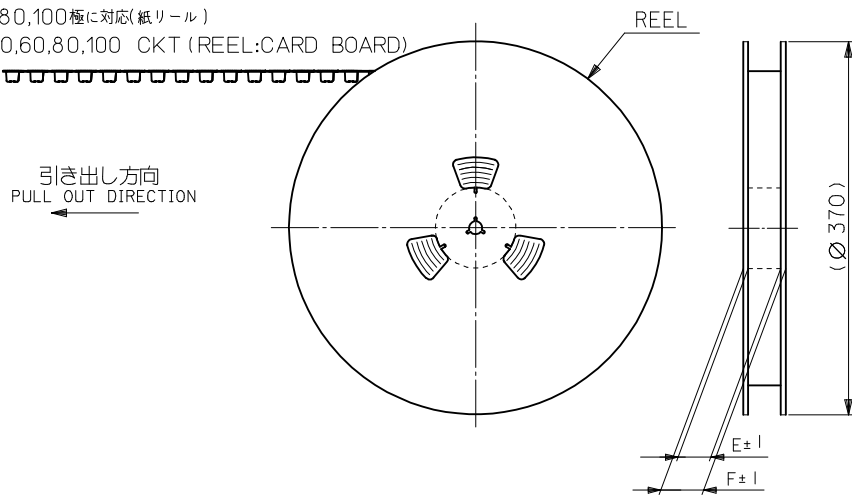
THIS REQUIREMENT SHOULD BE APPLIED AT SHIPMENT

(但し、輸送時に剥離が発生しない事。)

(PEEL OFF SHOULD NOT BE ALLOWED,DURING TRANSPORTATION)



30,40,60,80,100極に対応(紙リール)
FOR 30,40,60,80,100 CKT (REEL:CARD BOARD)



5. 材料

MATERIAL

キャリアテープ : ポリプロピレン (PP)

CARRIER TAPE : POLYPROPYLENE (PP)

トップテープ : PET, PE, PEF

TOP TAPE : PET, PE, P-F

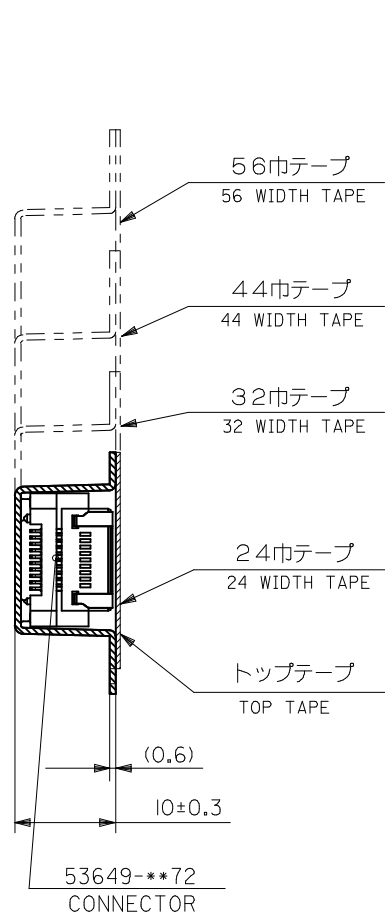
リール : 紙 (30,40,60,80,100極) ポリスチレン (140極)

REEL : CARDBOARD(FOR 30,40,60,80,100CKT) POLYSTYRENE(140CKT)

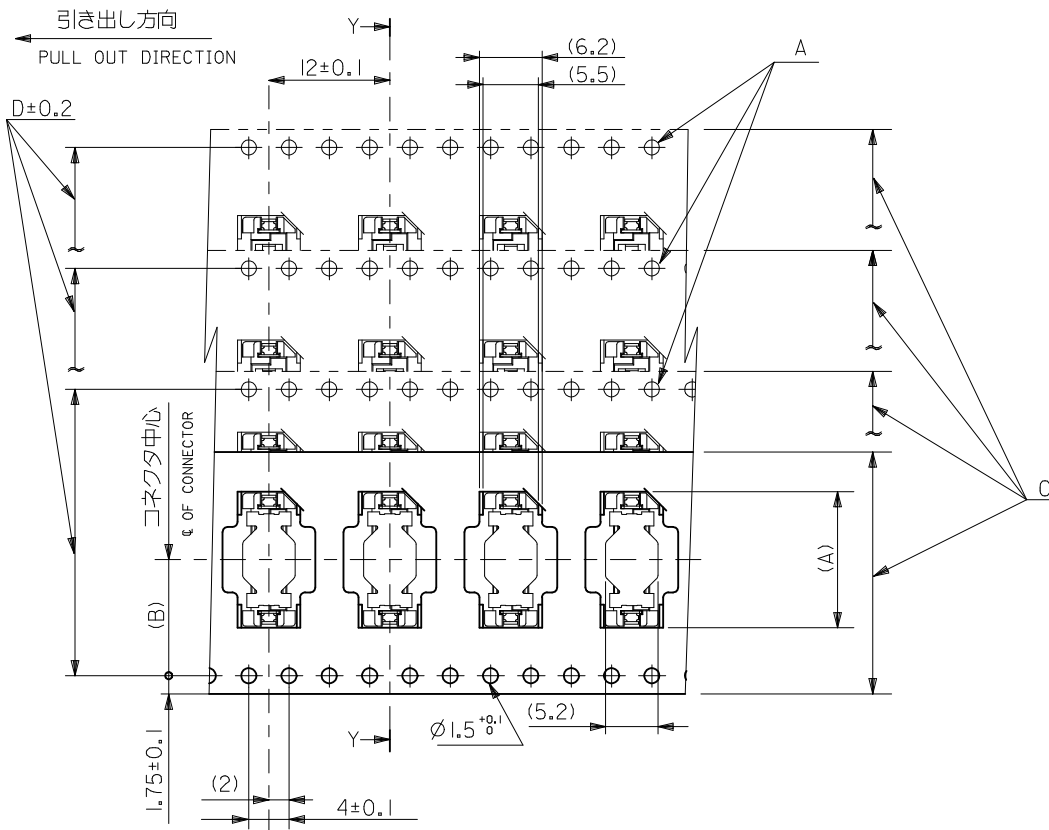
6. 本製品は 53649-***4 の鉛フリー品である。

THIS PRODUCT IS LEAD FREE OF 53649-***4

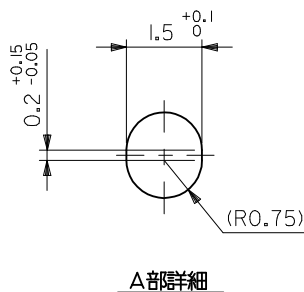
REVISED EC NO.: J2013-1013 2013/03/14 DRW:KTOYODA 2013/03/15 CHKD:TASAKAWA 2013/03/27 APPR:MSASAO	DESCRIPTION 10 UNDER 10 OVER 30 UNDER 30 OVER ANGULAR ±--- ° DRAFT WHERE APPLICABLE MUST REMAIN WITHIN DIMENSIONS	GENERAL TOLERANCES (UNLESS SPECIFIED)		DIMENSION STYLE MM ONLY		SCALE ---	DESIGN UNITS METRIC	THIRD ANGLE PROJECTION		
		10 UNDER ±---	10 OVER 30 UNDER ±---	30 OVER ±---	ANGULAR ±--- °	DRAFT WHERE APPLICABLE MUST REMAIN WITHIN DIMENSIONS	DRAWN BY M. NABE I	DATE '04/02/25	TITLE EMBOSSED TAPE PACKAGE FOR 53649-***72 -LEAD FREE-	
		MATERIAL NO. SEE CHART			DOCUMENT NO. SD-53649-005		SHEET NO. 1 OF 2		MATERIAL NO. SEE CHART	
		THIS DRAWING CONTAINS INFORMATION THAT IS PROPRIETARY TO MOLEX INCORPORATED AND SHOULD NOT BE USED WITHOUT WRITTEN PERMISSION								



断面 Y-Y
SECTION Y-Y



累積ピッチ : 40±0.2
ACCUMULATIVE
PITCH : 40±0.2



A部詳細

78.1	73.5	68.4	72 ^{+0.3}	34.2	51.6	53649-1474	140
61.4	57.4	52.4	56 ^{+0.3}	26.2	38.9	53649-1074	100
49.4	45.4	40.4	44 ^{+0.3}	20.2	32.6	53649-0874	80
					26.2	53649-0674	60
37.4	33.4	28.4	32 ^{+0.3}	14.2	19.9	53649-0474	40
29.4	25.4	#	24 ^{+0.3}	11.5	16.7	53649-0374	30
F	E	D	C	キャリアテープ幅 CARRIER TAPE WIDTH	(B)	(A)	MATERIAL NO.
						MODEL NO.	53649-**-74
							極数 NO. OF CXTS.

REVISED EC NO: J2013-1013 DRW:KTOYODA 2013/03/14 CHK:D.TASAKAWA 2013/03/14 APPR:MSASAO 2013/03/27	GENERAL TOLERANCES (UNLESS SPECIFIED)		DIMENSION STYLE	SCALE	DESIGN UNITS	THIRD ANGLE PROJECTION	
			MM ONLY	---	METRIC		
	10 UNDER	± ---	DRAWN BY	DATE	TITLE		
	10 OVER 30 UNDER	± ---	M. NABEI	'04/02/25	EMBOSSED TAPE PACKAGE FOR 53649-**-72 -LEAD FREE-		
30 OVER	± ---	CHECKED BY	DATE	MATERIAL NO.			SHEET NO.
		K. TOJO	'04/02/25	SEE CHART			2 OF 2
		APPROVED BY	DATE	DOCUMENT NO.			
		M. SASAO	'04/02/25	SD-53649-005			
	ANGULAR ± --- °	THIS DRAWING CONTAINS INFORMATION THAT IS PROPRIETARY TO MOLEX INCORPORATED AND SHOULD NOT BE USED WITHOUT WRITTEN PERMISSION					
	DRAFT WHERE APPLICABLE MUST REMAIN WITHIN DIMENSIONS						