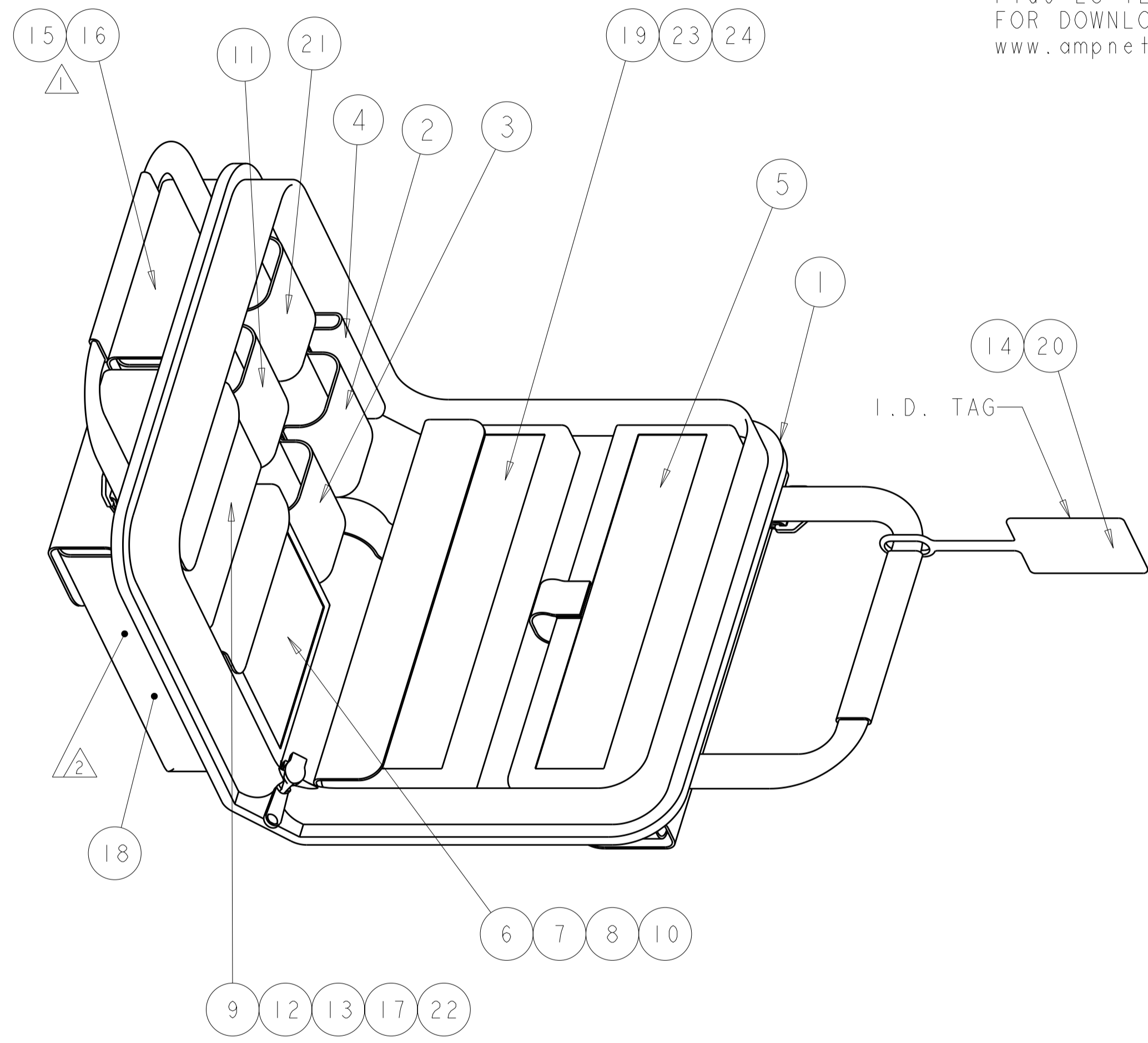


LOC	DIST	REVISIONS					
CE	00	P	LTR	DESCRIPTION	DATE	DWN	APVD
		Z		ECR-09-005877	09APR2009	KG	SB
		AA		REVISED PER ECR 10-022414	31OCT2010	DLF	SB

- 1 MANUFACTURERS' INSTRUCTION SHEETS
- 2 OPTIONAL SHOULDER STRAP
- 3. INSTRUCTION SHEETS 408-4020, 408-8925, 408-10103, 408-4555, 408-4457, AND 408-4471 EXPLAIN THE LightCrimp Plus LC TERMINATION TECHNIQUE AND ARE AVAILABLE FOR DOWNLOAD AT www.tycoelectronics.com/documents OR www.ampnetconnect.com/foguide



OBSOLETE
OBSOLETE
SUPERCEDED BY:
1278118-4

QTY	UNIT	DESCRIPTION	PART NUMBER	ITEM			
1	-	MICROSCOPE ADAPTER, 1.25mm	1754765-1	24			
1	-	MICROSCOPE ADAPTER, MT-RJ	1754768-1	23			
1	1	CABLE CLAMP	1278625-1	22			
1	1	SLITTER TOOL, 2mm & 3mm	1553661-1	21			
1	-	LABEL, TERMINATION KIT	1374331-2	20			
1	-	200x MICROSCOPE KIT	1754767-1	19			
1	1	FIBER CLEAVER, SLIDE CUTTER	1871696-1	18			
1	1	BALL END HEX KEY (5)	1457999-1	17			
1	1	FIBER OPTICS CLEANING & INSPECTION GUIDE	2064710-1	16			
1	1	CD - ROM, TERMINATION TRAINING	1374503-1	15			
-	1	LABEL, TERMINATION KIT	1374331-1	14			
1	1	STRIP TEMPLATE, MT-RJ	1278598-1	13			
2	2	ACTUATION KEY, MT-RJ	1278576-1	12			
1	1	MICRO-STRIP TOOL MT-RJ (.008IN)	492109-2	11			
1	1	OPTIMATE CABLE STRIPPER	501198-1	10			
14	14	ALCOHOL WIPES	501857-2	9			
1	1	CABLE HOLDER, LightCrimp Plus/LC/SC	2064540-1	8			
1	1	CABLE HOLDER, LightCrimp Plus/ST	492703-1	7			
1	1	DIESET, LightCrimp Plus/ST	492622-1	6			
1	1	HANDTOOL, LightCrimp Plus/LC/SC/SPLICE	2064603-1	5			
2	2	OPEN END WRENCH, 1/4IN	1278422-1	4			
1	1	KEVLAR SHEARS	1278637-1	3			
1	1	FIBER STRIP TOOL, COMBINATION	1754708-1	2			
1	1	PREMIUM SOFTCASE	1278540-1	1			
-5	-4	-3	-2	-1	DESCRIPTION	PART NUMBER	ITEM

THIS DRAWING IS A CONTROLLED DOCUMENT FOR TYCO ELECTRONICS CORPORATION IT IS SUBJECT TO CHANGE AND THE CONTROLLING ENGINEERING ORGANIZATION SHOULD BE CONTACTED FOR THE LATEST REVISION.		DWN T. ALEXANDER 15NOV2000 CHK M. HAMONKO 15NOV2000 APVD S. BUCHTER 15NOV2000	Tyco Electronics Harrisburg, PA 17105-3608
DIMENSIONS: INCHES	TOLERANCES UNLESS OTHERWISE SPECIFIED: 0 PLC ± 1 PLC ±0.1 2 PLC ±0.02 3 PLC ±0.005 4 PLC ±0.0005 ANGLES ± FINISH -	PRODUCT SPEC - APPLICATION SPEC - WEIGHT -	NAME: TERMINATION KIT, COMBINATION, LightCrimp Plus, AMP SC/LC/ST AND MT-RJ JACK SIZE: A2 CAGE CODE: 00779 DRAWING NO: 1278118 RESTRICTED TO: - SCALE: 1:2 SHEET 1 OF 1 REV AA
MATERIAL: -		CUSTOMER DRAWING	