

MODEL NUMBER
CPL-5046-20-NNN-79

NOTES:

1.0 ELECTRICAL SPECIFICATIONS:

- 1.1 FREQUENCY RANGE: 2.0 to 4.0 GHz
- 1.2 COUPLING: 20 ±1.0dB
- 1.3 FREQUENCY SENSITIVITY: ±0.75dB
- 1.4 INSERTION LOSS: 0.20dB MAX.
- 1.5 DIRECTIVITY: 25dB MIN
- 1.6 VSWR: 1.15:1 MAX.
- 1.7 INPUT POWER:

AVG INPUT: 10dB: 200 WATTS
 20 & 30dB: 500 WATTS
 AVG. REVERSE: 10dB: 50 WATTS
 20 & 30dB: 500 WATTS
 AVG. PEAK: 10 KILOWATTS

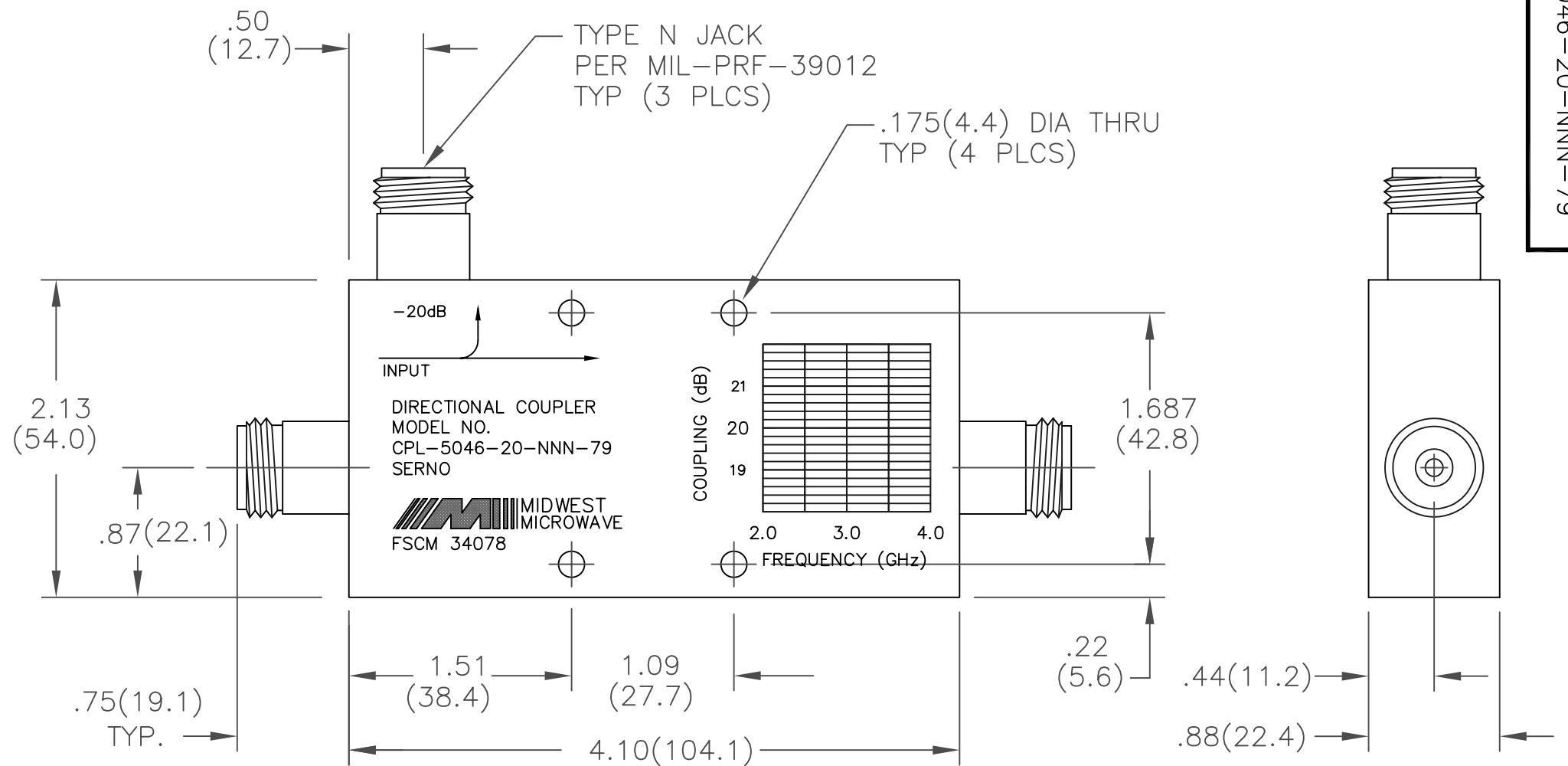
2.0 WEIGHT: 0.45 Kg. (1.0 lbs)

3.0 FINISHING:

3.1 GREY PER MIL-E-15090 TYPE II, CLASS 2
 OVER MIL-C-5541 CLASS 3A
 MEETS MIL-F-14072
 MEETS MIL-E-5400

3.2 MARK UNIT AS SHOWN
 (REF.: SLK-09144-82-05)
 USING BLUE INK.

4.0 DIMENSIONS IN PARENTHESIS
 ARE IN MILLIMETERS.



NOTICE: The information contained in this drawing is proprietary and must not be used without the permission of Emerson Network Power.	CAGE CODE	34078 MIDWEST MICROWAVE	
			TITLE DIRECTIONAL COUPLER OUTLINE DRAWING
UNLESS OTHERWISE NOTED DIMENSIONS ARE IN INCHES AND TOLERANCES ARE: 3 PLACE DECIMALS ±.005 2 PLACE DECIMALS ±.02 FRACTIONS ±1/64 PARALLELITY: T.I.R. _____ FLATNESS: T.I.R. _____ CONCENTRICITY: T.I.R. _____ ANGLES AND PERPENDICULARITY: ±1°	DRAWN/DATE A.BEATTY 10/29/93 CHECKED/DATE M.HOLLMAN 1/18/94	ENG./DATE P.GOODMAN 2/18/94 APPROVED/DATE	DRAWING NUMBER CPL-5046-20-NNN-79-01 SCALE: 1=1 SHEET 1 of 1
REV.	DESCRIPTION	DATE	REV.
D	ECO 22792	11/8/10	D