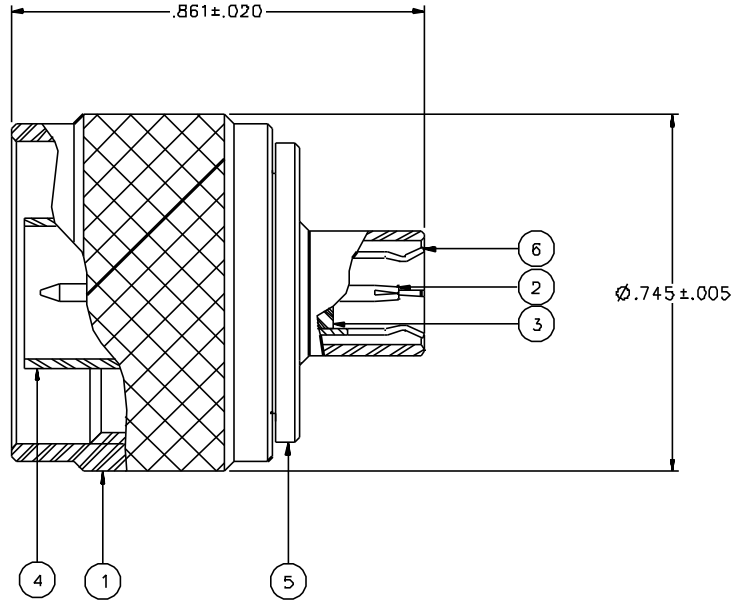


PART NUMBER 134-1069-001	ITEM ① N NUT STAINLESS STEEL PASSIVATED	ITEM ② CONTACT BERYLLIUM COPPER GOLD PL .00003 MIN OVER NICKEL PL .00005 MIN OVER COPPER PL .00005 MIN	ITEM ③ INSULATOR TEFLON	ITEM ④ N FRONT BODY STAINLESS STEEL PASSIVATED	ITEM ⑤ REAR BODY STAINLESS STEEL PASSIVATED	ITEM ⑥ INTERFACE BERYLLIUM COPPER GOLD PL .00003 MIN OVER NICKEL PL .00005 MIN OVER COPPER PL .00005 MIN
-----------------------------	--	---	-------------------------------	---	--	---



NOTES:

1. SPECIFICATIONS:

IMPEDENCE: 75 OHMS
 FREQUENCY RANGE: 0-2 GHz
 VSWR: 1.05 ±.01F MAX (F IN GHz)
 WORKING VOLTAGE: 335 VRMS MAX AT SEA LEVEL
 DIELECTRIC WITHSTANDING VOLTAGE: 1000 VRMS MIN AT SEA LEVEL
 INSULATION RESISTANCE: 1000 MEGOHM MIN
 CONTACT RESISTANCE:
 CENTER CONTACT - INITIAL 12 MILLIOHM MAX AFTER ENVIRONMENTAL 16 MILLIOHM MAX
 OUTER CONDUCTOR - GOLD PLATED INITIAL 1 MILLIOHM MAX, AFTER ENVIRONMENTAL 1.5 MILLIOHM MAX, AFTER PASSIVATED INITIAL 2.5 MILLIOHM MAX, AFTER ENVIRONMENTAL 3.5 MILLIOHM MAX
 BRAID TO BODY - NOT APPLICABLE
 CORONA LEVEL: NOT APPLICABLE
 INSERTION LOSS: NOT APPLICABLE
 RF LEAKAGE: NOT APPLICABLE
 RF HIGH POTENTIAL WITHSTANDING VOLTAGE: 600 VRMS AT 4 AND 7 MHZ

MECHANICAL:

ENGAGE/DISENGAGE FORCE (MINI-SMB): INITIAL 14 LBS MAX AFTER DURABILITY 14 LBS MAX ENGAGEMENT, 2 LBS MIN DISENGAGEMENT
 MATING TORQUE (TYPE N): 6 IN-LB MIN WITH MATING PART
 COUPLING PROOF TORQUE (TYPE N): 15 IN-LB MIN
 COUPLING NUT RETENTION: 400 LBS MIN
 CONTACT RETENTION: 4 LBS MIN AXIAL FORCE
 CABLE ACCEPTABILITY: NOT APPLICABLE
 CABLE HEX CRIMP SIZE: NOT APPLICABLE
 CABLE RETENTION: NOT APPLICABLE
 DURABILITY: 500 CYCLES MIN

ENVIRONMENTAL:

(MEETS OR EXCEEDS THE APPLICABLE PARAGRAPH OF MIL-C-39012)
 THERMAL SHOCK: MIL-STD-202, METHOD 107, CONDITION B
 OPERATING TEMPERATURE: -65° DEC C TO 165° DEC C
 CORROSION: MIL-STD-202, METHOD 101, CONDITION B
 SHOCK: MIL-STD-202, METHOD 213, CONDITION B
 VIBRATION: MIL-STD-202, METHOD 204, CONDITION B

DRAWING NO. C - 134-1069-001/010	
0	REVISIONS
ENGINEERING RELEASE	
1	1-14-92 R H I A B 1-16-92 H F K B E C C 40816
ADDED: 1000 VRMS MIN DMV TO SPECS	
2	6-18-92 R H I A B 6-23-92 H F K B E C C 41089
CHANGED: UPDATED GRAPHICS	
3	1-31-97 R H I A B 2-19-97 H F K B E C N 44438
VERSION UPDATE	
* REVISION NUMBER FOLLOWED BY AN ALPHA * * CHARACTER INDICATES DRAWING CLARIF. * * CATION OR PART NUMBER ADDITION ONLY. *	
30	12-9-97 R H I A B 12-19-97 H F K B E C N 45161
VERSION UPDATE	
4	6-16-99 R H I A B 6-16-99 H F K B E C N 46485

CUSTOMER DRAWING

THIS DRAWING TO BE INTERPRETED PER ANS1 14.5M - 1982

"µSTATION"

COMPANY CONFIDENTIAL

TOLERANCE UNLESS OTHERWISE SPECIFIED	DRAWN BY VET	DATE 6-11-91	 Cinch Connectivity Solutions 299 Johnson Ave, Ste. 100 Wolke, MN 55093 1-800-247-8256	
DECIMALS .XXX	CHECKED BY VET	DATE 1-15-92	TITLE ASSEMBLY, ADAPTER 75 OHM TYPE N PLUG - MINI 75 OHM SMB PLUG	
MATL	APPROVED BY TAK/RJB	DATE 1-15-92	CODE NO.	DRAWING NO. C - 134-1069-001/010
FINISH	RELEASE DATE 1-16-92	SCALE 5:1	U/W INCH	SHEET 2 OF 2