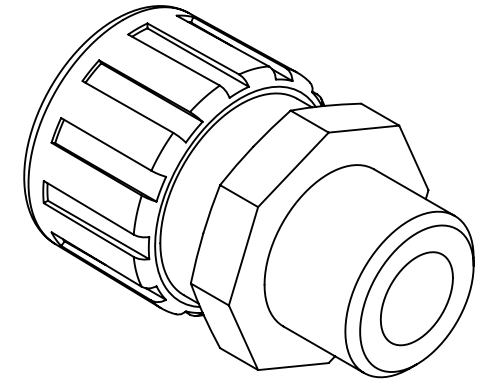
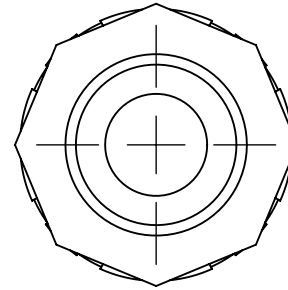
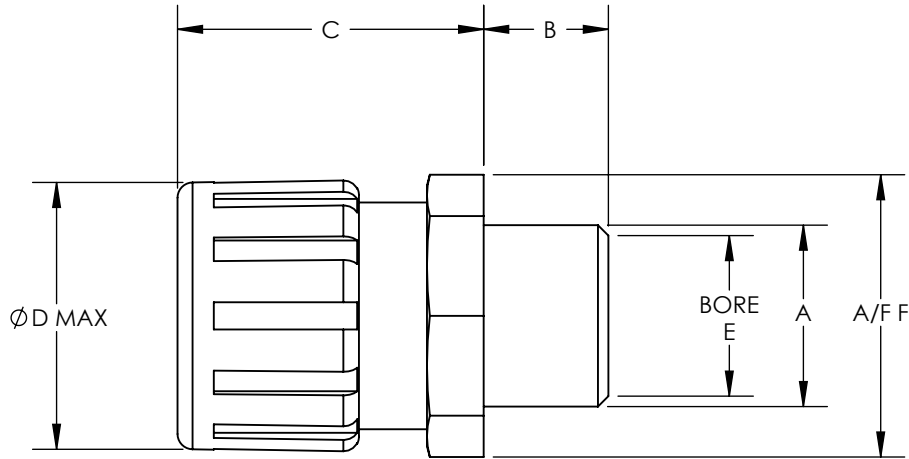


SW2014



Revision level			Revision Record	Changed	Date	Approved	Date
Drawing	State	Part					
00.0	Design Release		SEE ECN# 013596	GRW	10/24/2016	KAC	10/24/2016



Conduit Size		Euro Size	HellermannTyton Part Number	Manufacturer Reference Number	NPT Thread	Dimension (mm)											
in.	mm	(NW)				A		B		C		D		E		F (A/F)	
						in.	mm	in.	mm	in.	mm	in.	mm	in.	mm	in.	mm
3/8	16	NA	PSR038-S-0380	MPC-16-038	3/8 NPT	0.43	11	1.14	29	1.10	28	0.41	10.5	0.98	25		
3/8	16	NA	PSR038-S-0500	MPC-16-050	1/2 NPT	0.55	14	1.06	27	1.10	28	0.41	10.5	0.98	25		
1/2	20	NA	PSR050-S-0500	MPC-20-050	1/2 NPT	0.55	14	1.14	29	1.30	33	0.57	14.5	1.18	30		
3/4	25	NA	PSR075-S-0750	MPC-25-075	3/4 NPT	0.59	15	1.18	30	1.65	42	0.75	19.0	1.46	37		
1.00	32	NA	PSR100-S-1000	MPC-32-100	1 NPT	0.63	16	1.26	32	1.89	48	0.97	24.5	1.77	45		
1.25	40	NA	PSR125-S-1250	MPC-40-125	1-1/4 NPT	0.63	16	1.69	43	2.36	60	1.30	33.0	2.36	60		
1.50	50	NA	PSR150-S-1500	MPC-50-150	1-1/2 NPT	0.63	16	1.54	39	2.52	64	1.54	39.0	2.36	60		
2.00	63	NA	PSR200-S-2000	MPC-63-200	2 NPT	0.63	16	1.57	40	2.99	76	1.89	48.0	2.87	73		

Material
PA66

Units: inches

Dimension without tolerances details to:
 .xxxx = ±.0005
 .xxx = ±.005
 .xx = ±.01
 .x = ±.03
 None = ±.06
 < = ±0.5°

Dimension Formatted in/[mm]

The copyright of this drawing is reserved by HellermannTyton. It is issued on condition that it is not reproduced, copied, or disclosed to a third party, either wholly or in part, without the consent of HellermannTyton.

Drawn GRW 10/24/2016
 Approved KAC 10/24/2016

HellermannTyton
 North America
 Email: corp@htamericas.com
 Web: www.hellermann.tyton.com

Article/Type-No PSR-S SERIES
 Title **HELAGUARD 2-PIECE STRAIGHT NYLON COMPRESSION FITTING, NPT THREAD IP65**
 Drawing-No PRODUCTION : Phase
15-0827-001-CSU

Scale .
 Project Number PRP 15-0827
 Format AH
 Sheet 1/1