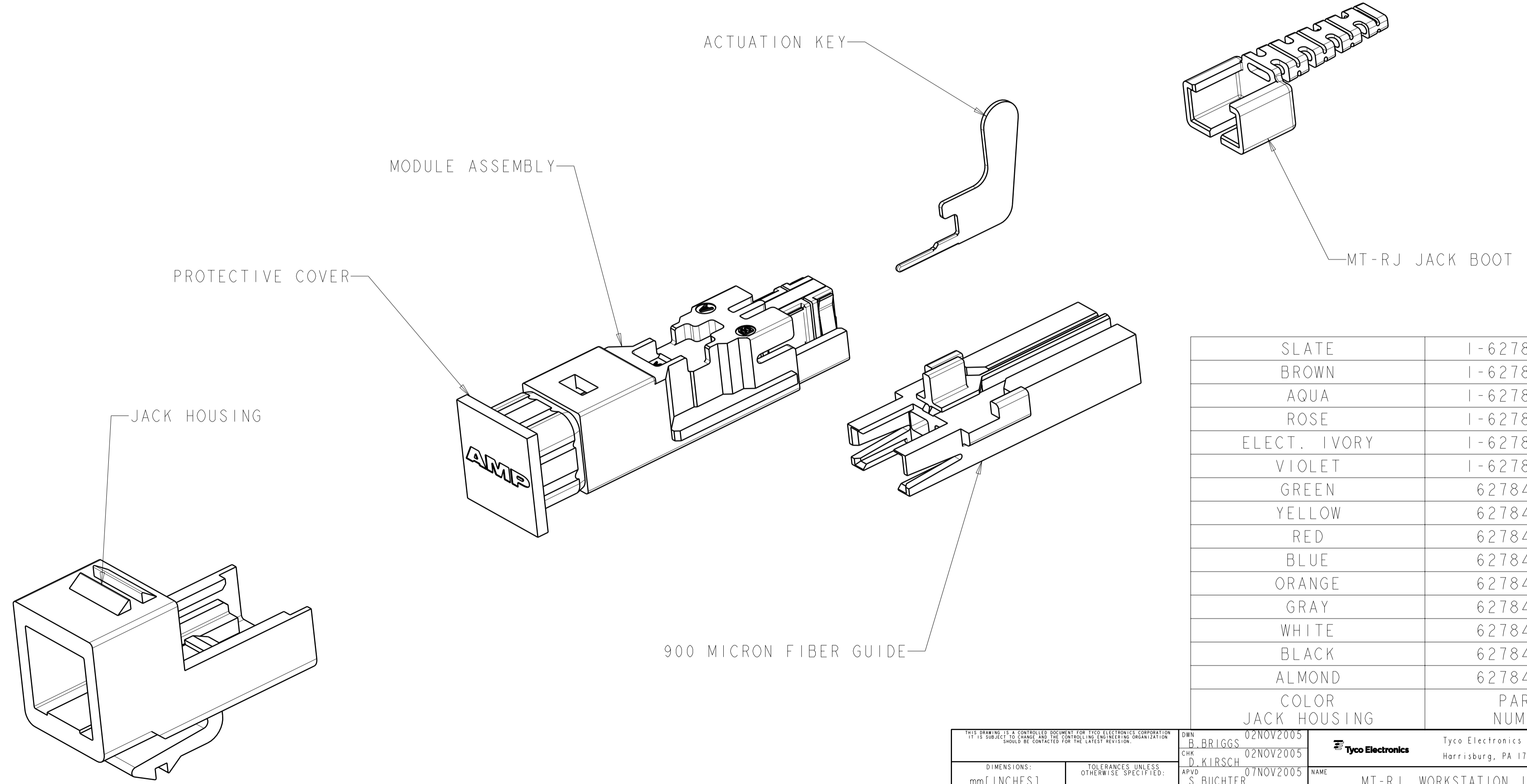


THIS DRAWING IS UNPUBLISHED. RELEASED FOR PUBLICATION
 © COPYRIGHT 20 BY TYCO ELECTRONICS CORPORATION. ALL RIGHTS RESERVED.

LOC	DIST	REVISIONS			
P	LTR	DESCRIPTION	DATE	DWN	APVD
CE	00	A	REV PER ECR-06-003731	16FEB2006	BB DK
		AI	REMOVE WIREFRAME	29OCT2008	BB DK

1. ENSURE THAT THE WALL BOX IS AT LEAST 50.8mm [2.0 INCHES] DEEP, WHEN INSTALLING MT-RJ WORKSTATION JACK KITS.



SLATE	1-6278415-5
BROWN	1-6278415-4
AQUA	1-6278415-3
ROSE	1-6278415-2
ELECT. IVORY	1-6278415-1
VIOLET	1-6278415-0
GREEN	6278415-9
YELLOW	6278415-8
RED	6278415-7
BLUE	6278415-6
ORANGE	6278415-5
GRAY	6278415-4
WHITE	6278415-3
BLACK	6278415-2
ALMOND	6278415-1
COLOR JACK HOUSING	PART NUMBER

THIS DRAWING IS A CONTROLLED DOCUMENT FOR TYCO ELECTRONICS CORPORATION. IT IS SUBJECT TO CHANGE AND THE CONTROLLING ENGINEERING ORGANIZATION SHOULD BE CONTACTED FOR THE LATEST REVISION.

DWN B. BRIGGS 02NOV2005	Tyco Electronics Harrisburg, PA 17105-3608
CHK D. KIRSCH 02NOV2005	
APVD S. BUCHTER 07NOV2005	
PRODUCT SPEC	
NAME MT-RJ, WORKSTATION JACK KIT, 62.5/125	
APPLICATION SPEC	
WEIGHT	
SCALE 3:1	
SHEET 1 OF 1	
REV AI	

CUSTOMER DRAWING