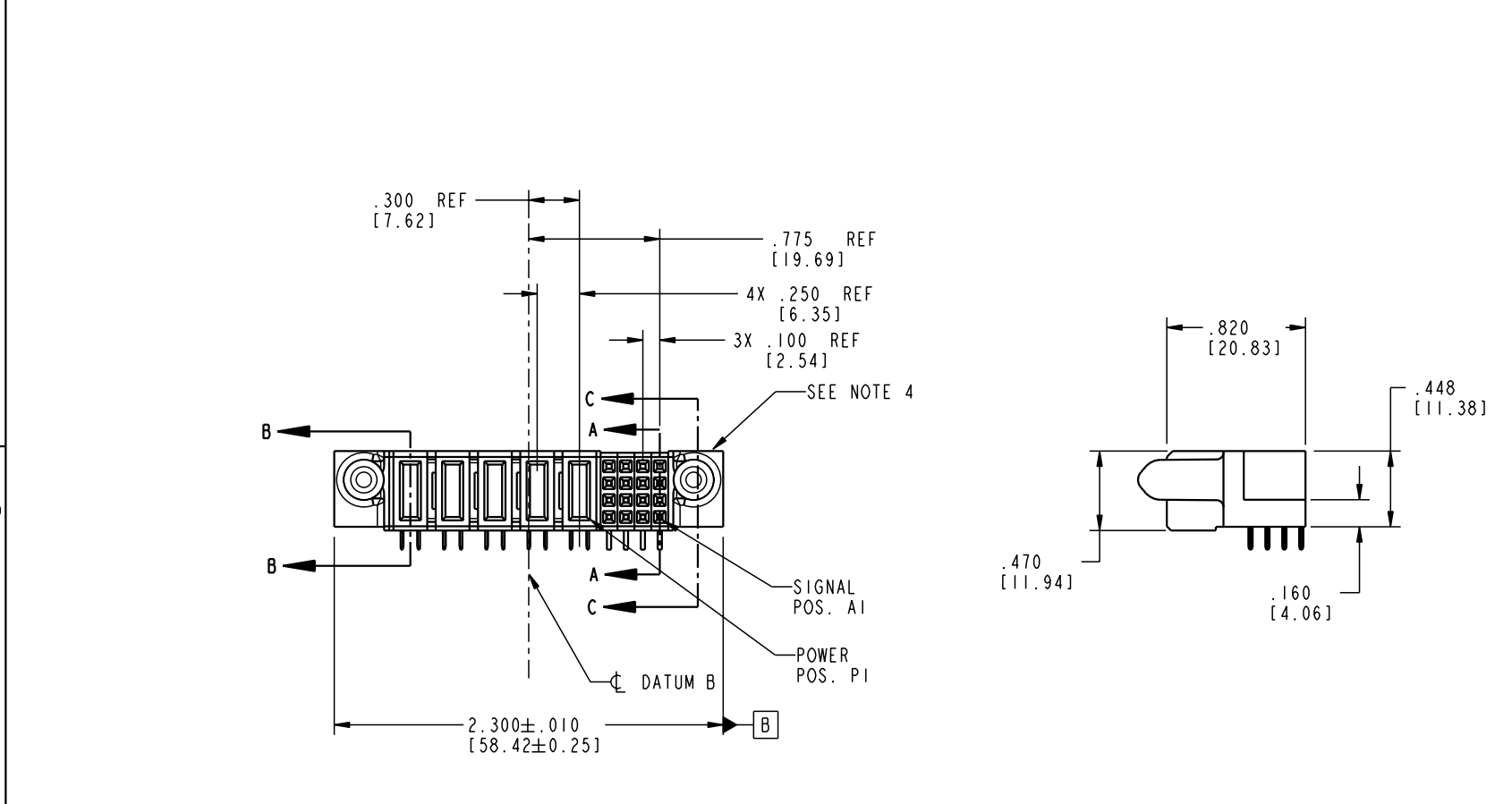
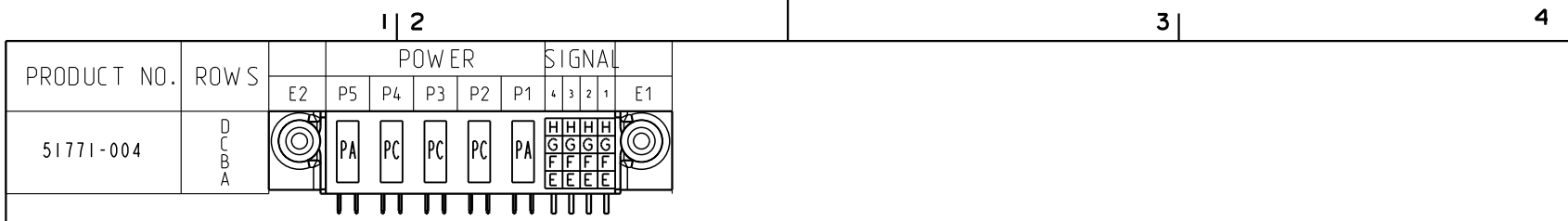


Tous droits strictement reserves. Reproduction ou communication a des tiers interdite sous quelque forme que ce soit sans autorisation écrite du propriétaire. Propriete de c FCI. Droits de reproduction FCI.

All rights strictly reserved. Reproduction or issue to third parties in any form whatever is not permitted without written authority from the proprietor. Property of FCI. Copyright FCI.



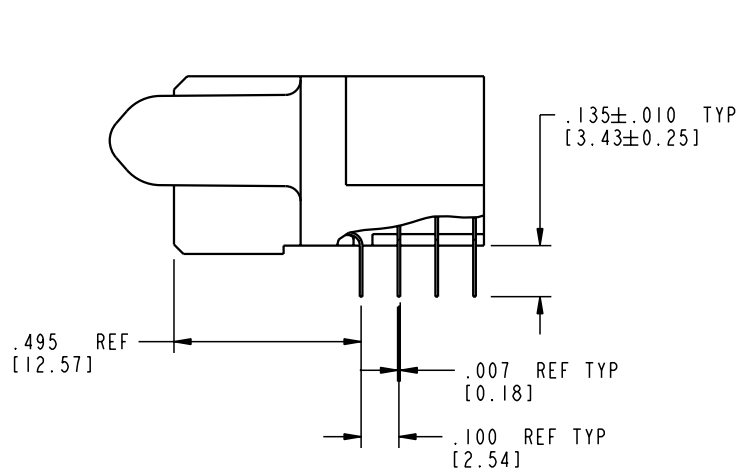
CODE	DIM "M" MATING LENGTH	CONTACT TYPE
PC	.092 [2.34]	POWER
H	N/A [N/A]	SIGNAL
G	N/A [N/A]	SIGNAL
F	N/A [N/A]	SIGNAL
E	N/A [N/A]	SIGNAL
PA	.042 [1.07]	POWER

mat'l code		SEE NOTE 2		tolerances unless otherwise specified		CUSTOMER		A FCI www.fciconnect.com	
ltr	ecn no.	dr	date	linear	.XX±.01/0.X±0.3	COPY		title	
A	V03-0976	MEM	9/3/03		.XXX±.005/0.XX±0.13	projection		16S + 5P	
				angles	.XXX±.0020/0.XXX±0.051	INCH/MM		R/A SOLDER RECEPTACLE	
				dr	0°±2°	scale		product family	
				enr	M. MOSTOLLER 9/3/03	1:1		PwrBlade	
				chr	M. MOSTOLLER 9/3/03			code	
				appd	H. BREWBAKER 9/3/03			213	
					M. MOSTOLLER 9/3/03			sheet	
sheet index	revision	A	A	A	A			1 of 4	
	sheet	1	2	3	4				
		Pro/E		3		cage code		22526	
								4	

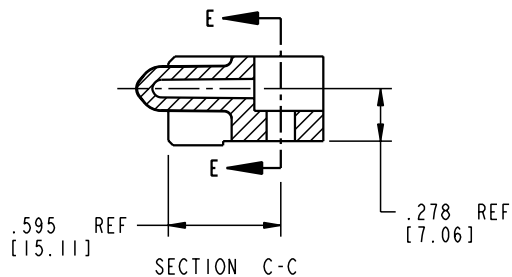
Tous droits strictement reserves. Reproduction ou communication a des tiers interdite sous quelque forme que ce soit sans autorisation ecrite du proprietaire. Propriete de c FCI. Droits de reproduction FCI.

All rights strictly reserved. Reproduction or issue to third parties in any form whatever is not permitted without written authority from the proprietor. Property of FCI. Copyright FCI.

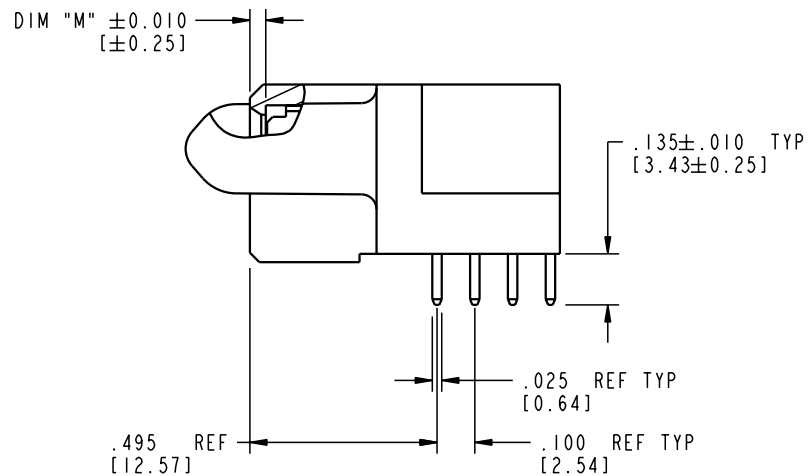
PRODUCT NUMBER  
51771-004



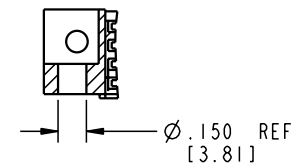
BROKEN-OUT SECTION A-A  
SCALE 2:1



SECTION C-C



BROKEN-OUT SECTION B-B  
SCALE 2:1



PARTIAL SECTION E-E

mat'l code		SEE NOTE 2		tolerances unless otherwise specified		CUSTOMER		 www.fciconnect.com	
ltr	ecn no.	dr	date	linear	.XX±.01/0.X±0.3	projection	title		
A					.XXX±.005/0.XX±0.13		16S + 5P		
				angles	.XXX±.0020/0.XXX±0.051	INCH/MM	R/A SOLDER RECEPTACLE		
				dr	0° ± 2°	scale	product family	PwrBlade	code
				enr	M. MOSTOLLER 9/3/03	1:1	size	dwg no	213
				chr	M. MOSTOLLER 9/3/03		A	51771-004	sheet
				appd	H. BREWBAKER 9/3/03				2 of 4
					M. MOSTOLLER 9/3/03				
sheet index	revision sheet								

Pro/E

cage code 22526

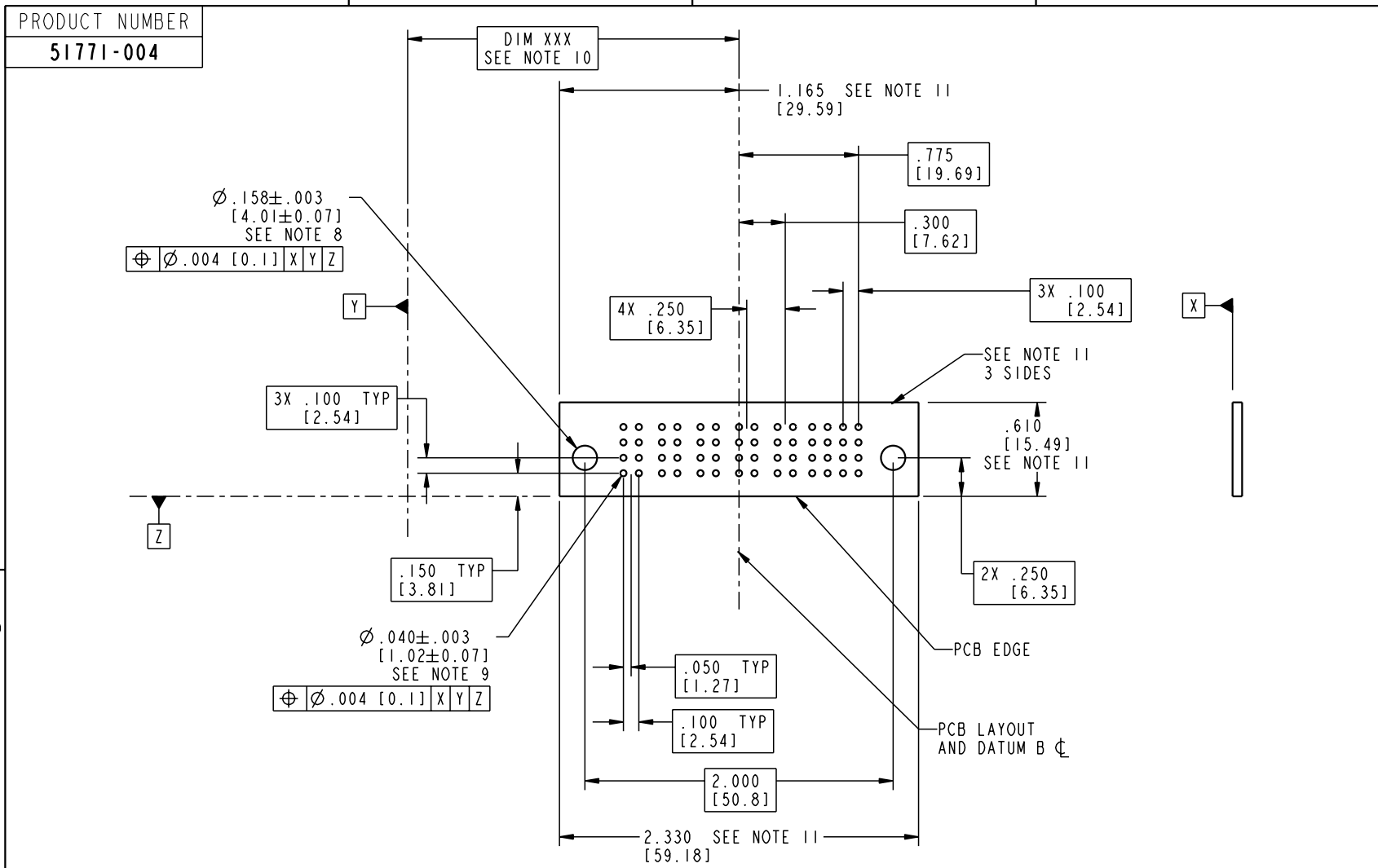
PDM: Rev:A

STATUS: Released

Printed: Dec 20, 2010

Tous droits strictement reserves. Reproduction ou communication a des tiers interdite sous quelque forme que ce soit sans autorisation ecrite du proprietaire. Propriete de c FCI. Droits de reproduction FCI.

All rights strictly reserved. Reproduction or issue to third parties in any form whatever is not permitted without written authority from the proprietor. Property of FCI. Copyright FCI.



mat'l code		SEE NOTE 2		tolerances unless otherwise specified		CUSTOMER		 www.fciconnect.com	
lfr	ecn no.	dr	date	linear	.XX±.01/0.X±0.3	COPY		title	
A					.XXX±.005/0.XX±0.13	projection		16S + 5P	
				angles	.XXX±.0020/0.XXX±0.051			R/A SOLDER RECEPTACLE	
				dr	0°±?	INCH/MM		product family	
				enr	M. MOSTOLLER 9/3/03	scale		PwrBlade	
				chr	M. MOSTOLLER 9/3/03	1:1		code	
				appd	H. BREWBAKER 9/3/03			size	
					M. MOSTOLLER 9/3/03			dwg no	
sheet index		revision sheet						A	
								51771-004	
								213	
								3 of 4	
								cage code	
								22526	

Pro/E 3 cage code 22526 4

Tous droits strictement reserves. Reproduction ou communication a des tiers interdite sous quelque forme que ce soit sans autorisation écrite du propriétaire. Propriete de c FCI. Droits de reproduction FCI.

All rights strictly reserved. Reproduction or issue to third parties in any form whatever is not permitted without written authority from the proprietor. Property of FCI. Copyright FCI.



A

B

1 | 2

3 |

4

PRODUCT NUMBER  
**51771-004**

NOTES:

1. DIMENSIONS AND TOLERANCES ARE IN ACCORDANCE WITH ASME Y14.5M, 1994 UNLESS OTHERWISE SPECIFIED.

CONNECTOR NOTES:

- 2. HOUSING MATERIAL: UL 94 V-0 GLASS FILLED  
HIGH-TEMP THERMOPLASTIC  
POWER CONTACT MATERIAL: COPPER ALLOY  
SIGNAL PIN MATERIAL: COPPER ALLOY
- 3. PLATING:  
SIGNAL PINS: 30u"/0.76um Au OVER 50u"/1.27um Ni  
POWER CONTACTS: 50u"/1.27um Ni UNDER ALL  
WITH 30u"/0.76um Au ON CONTACT AREA  
AND SnPb ON PCB INTERFACE

- 4. MANUFACTURER'S NAME, P/N, AND DATE CODE TO APPEAR ON THIS SURFACE.
- 5. PRODUCT SPECIFICATION GS-12-149.  
APPLICATION SPECIFICATION BUS-20-067.

6. PACKAGED IN TRAYS.

PCB NOTES:

- 7. ALL HOLE DIAMETERS ARE FINISHED HOLE SIZE.
- 8. MOUNTING HOLES, WHERE APPLICABLE, ARE UNPLATED.
- 9.  $\varnothing .0453 \pm .0010$  [1.151  $\pm$  0.025] DRILLED HOLES PLATED WITH .0003 [0.008] MIN SnPb OVER .001 [0.03] TO .003 [0.08] Cu PLATING TO ACHIEVE  $\varnothing .040 \pm .003$  [1.02  $\pm$  .07] HOLE.
- 10. "DIM XXX" TO BE DETERMINED BY THE CUSTOMER.
- 11. CONNECTOR KEEP-OUT ZONE.

A

B

mat'l code				SEE NOTE 2		tolerances unless otherwise specified		CUSTOMER		 www.fciconnect.com	
ltr	ecn no.	dr	date	linear	.XX±.01/0.X±0.3	projection	COPY		title		
A					.XXX±.005/0.XX±0.13		INCH/MM		16S + 5P		
				angles	.XXX±.0020/0.XXX±0.051		scale		R/A SOLDER RECEPTACLE		
				dr	M. MOSTOLLER 9/3/03	1:1		product family		PwrBlade	code
				enr	M. MOSTOLLER 9/3/03	A		size		dwg no	213
				chr	H. BREWBAKER 9/3/03	A		51771-004		sheet	4 of 4
				appd	M. MOSTOLLER 9/3/03						
sheet index		revision sheet									

1 | 2

3 |

4

Pro/E

cage code 22526