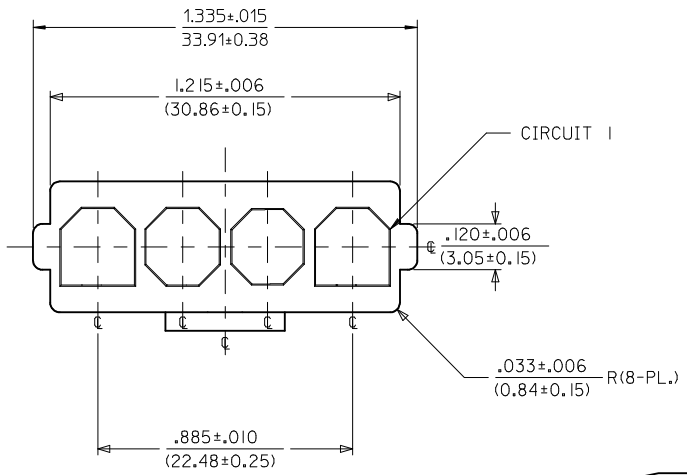
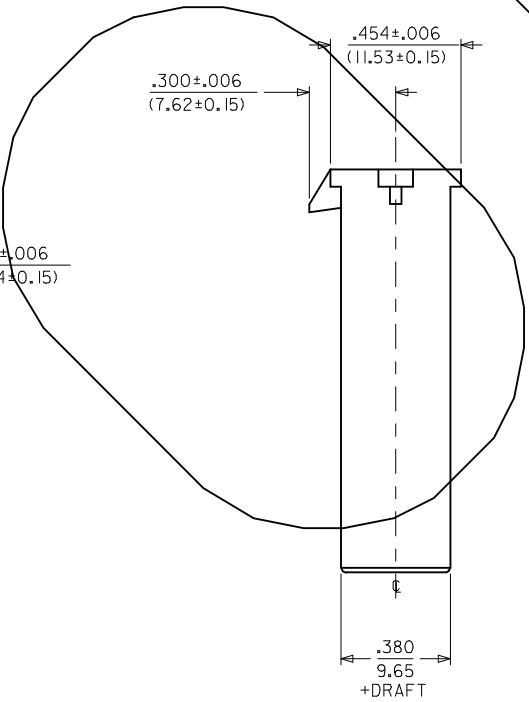
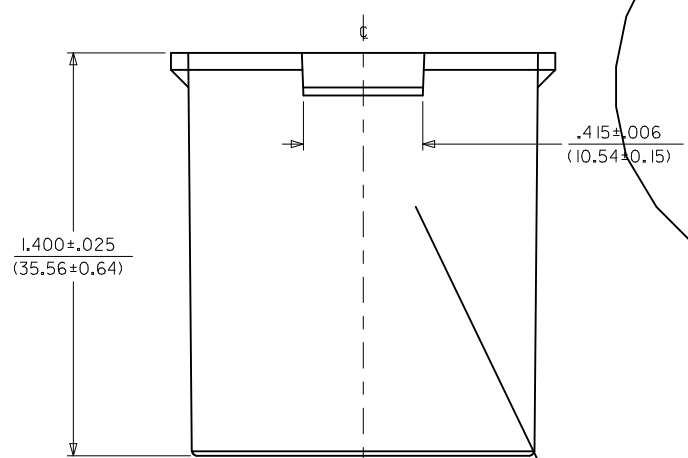


ITEM NUMBER	MATERIAL	COLOR
43680-1004	UL94V-2 NYLON	NATURAL (TRANSLUCENT)
43680-2004	UL94V-0 NYLON	BLACK
43680-3004	UL94V-2 NYLON IEC 60335-1 GLOW WIRE CAPABLE	BLACK

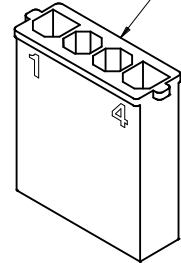


NOTE:

1. MATERIAL: SEE CHART.
2. FINISH: NONE.
3. PRODUCT SPECIFICATION: PS-44441-9999.
4. PACKAGING: PK-43680-001.
5. THIS CONNECTOR HOUSING FOR USE WITH 43178-**** TERMINALS.
6. THIS CONNECTOR HOUSING WILL MATE TO 43335-****, 43179-**** AND 44441-**** HOUSINGS.
7. PARTS CONFORM TO CLASS B REQUIREMENTS OF COSMETIC SPEC PS-45499-002.
- SOME PARTS MAY HAVE A BLEMISH NEAR THE GATE THAT DOES NOT AFFECT FUNCTIONALITY.

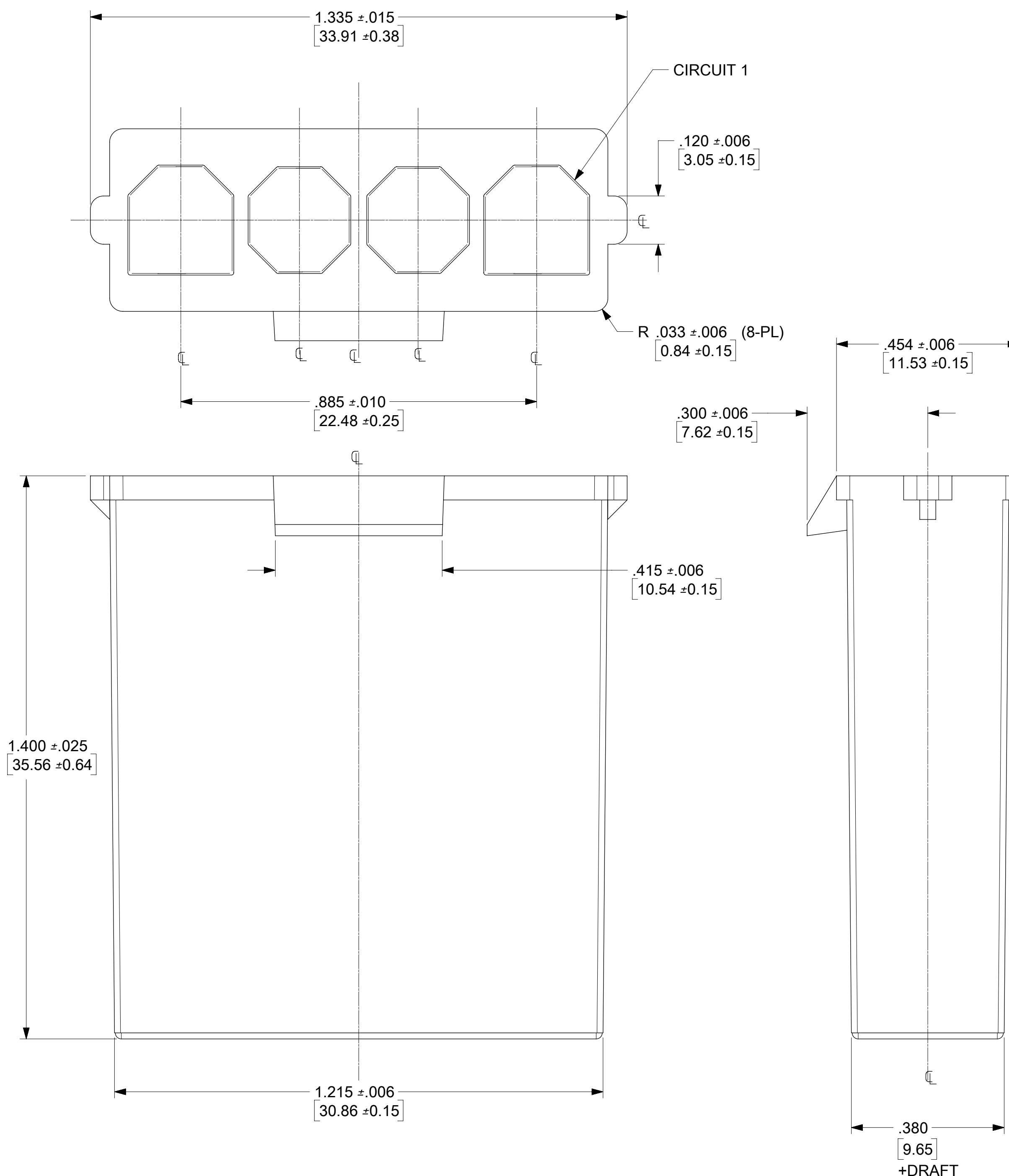


LOCKING NUB IS LOCATED HERE



43680-*004
(NO SCALE)

VOID EC NO: UCP2017-0974 DRWING: BANDURA 2016/10/31 CHKD: APPR: BP1/SZCZOR 2016/11/03 REV:	QUALITY SYMBOLS	GENERAL TOLERANCES (UNLESS SPECIFIED)	DIMENSION STYLE	SCALE	DESIGN UNITS	THIRD ANGLE PROJECTION
	▽=0	mm INCH	IN/MM	4:1	INCH	
	▽=0	4 PLACES ± --- ± ---	DRAWN BY DATE	TITLE	VOID	1 OF 1
	▽=0	3 PLACES ± --- ±.010	CM 03/22/96			
▽=0	2 PLACES ± 0.25 ±.014	CHECKED BY DATE	4-CIR. PLUG HOUSING			
	1 PLACE ± 0.35 ± ---	KBP 03/22/96	.125/(3.18)X.020/(0.51)			
	0 PLACE ± --- ± ---	APPROVED BY DATE	SABRE - TPA			
		FSMITH 2015/01/09	molex			
		ANGULAR ±1/2°	MATERIAL NO.	DOCUMENT NO.	SHEET NO.	
		DRAFT WHERE APPLICABLE MUST REMAIN WITHIN DIMENSIONS	SEE CHART	SD-43680-*004	1 OF 1	
			THIS DRAWING CONTAINS INFORMATION THAT IS PROPRIETARY TO MOLEX INCORPORATED AND SHOULD NOT BE USED WITHOUT WRITTEN PERMISSION			

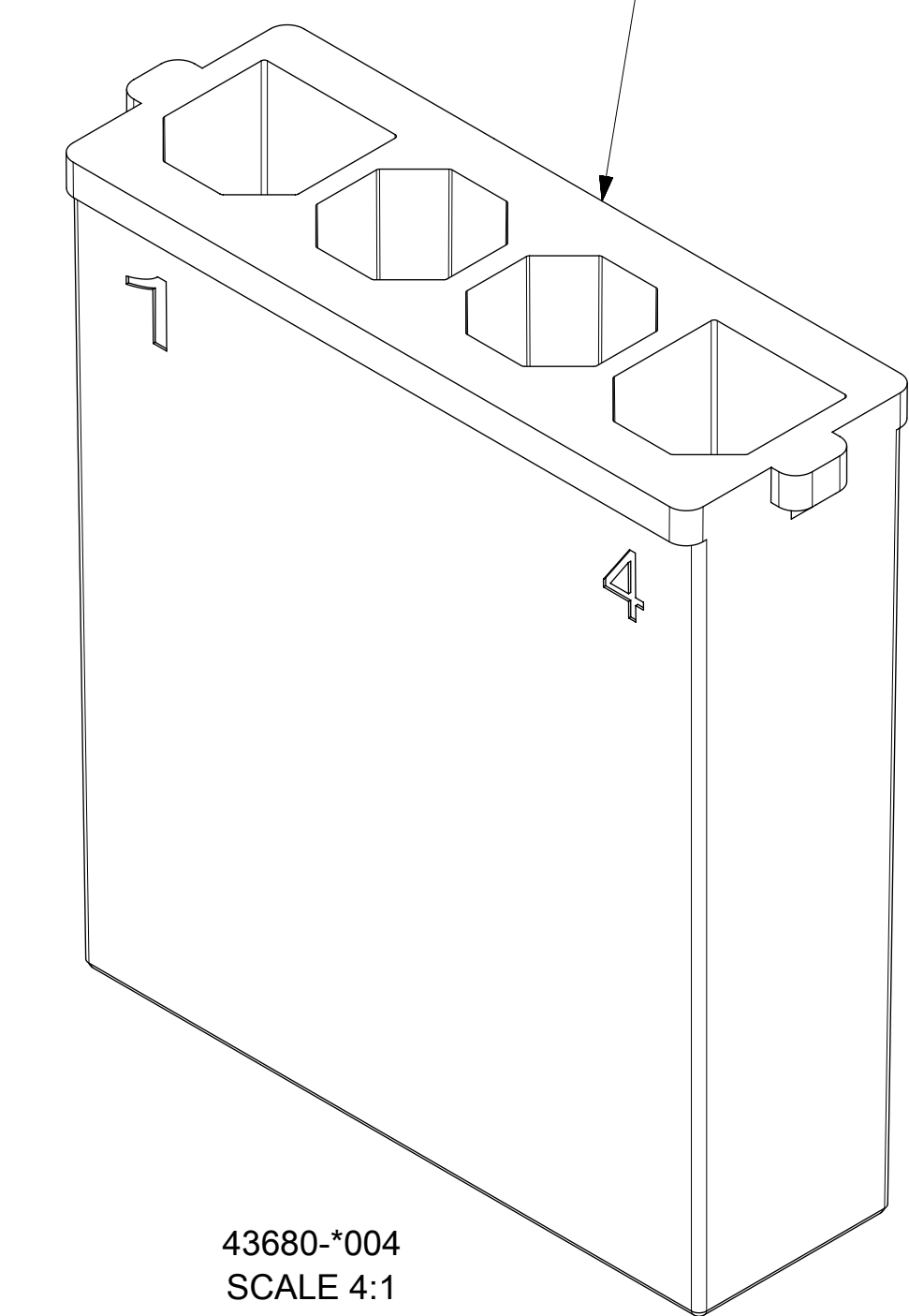


ITEM NUMBER	MATERIAL	COLOR
43680-1004	UL94V-2 NYLON	NATURAL (TRANSLUCENT)
43680-2004	UL94V-0 NYLON	BLACK
43680-3004	UL94V-2 NYLON IEC 60335-1 GLOW WIRE CAPABLE	BLACK

NOTE:

1. MATERIAL: SEE CHART.
2. FINISH: NONE.
3. PRODUCT SPECIFICATION: PS-44441-9999.
4. PACKAGING: PK-43680-001.
5. THIS CONNECTOR HOUSING FOR USE WITH 43178-**** TERMINALS.
6. THIS CONNECTOR HOUSING WILL MATE TO 43335-***4, 43179-***4 AND 44441-***4 HOUSINGS.
7. PARTS CONFORM TO CLASS B REQUIREMENTS OF COSMETIC SPEC PS-45499-002.
- SOME PARTS MAY HAVE A BLEMISH NEAR THE GATE THAT DOES NOT AFFECT FUNCTIONALITY.

LOCKING NUB IS LOCATED HERE



QUALITY SYMBOLS	THIS DRAWING CONTAINS INFORMATION THAT IS PROPRIETARY TO MOLEX ELECTRONIC TECHNOLOGIES, LLC AND SHOULD NOT BE USED WITHOUT WRITTEN PERMISSION											
▽ = 0	RE-MASTERED IN ELECTR EC NO: 111498 DRWN: RMV02 CHKD: BPI SZCZOR REV / APPR:	2016/04/19	2016/12/15	GENERAL TOLERANCES (UNLESS SPECIFIED)		DIMENSION UNITS	SCALE	molex				
▽ = 0				ANGULAR TOL ± 0.5 °		HYBRID	5:1					
▽ = 0				4 PLACES ±		DRWN BY	DATE	4-CIR PLUG HOUSING .125/[3.18]X(.020/[0.51] SABRE - TPA				
▽ = 0				3 PLACES ± 0.01		CM	03/22/96					
▽ = 0				2 PLACES ± 0.014		CHKD BY	DATE	PRODUCT CUSTOMER DRAWING				
▽ = 0				1 PLACE ±		KBP	03/22/96					
▽ = 0				0 PLACES ±		APPR BY	DATE	SERIES MATERIAL NUMBER CUSTOMER 43680 SEE CHART GENERAL MARKET				
▽ = 0				DRAFT WHERE APPLICABLE MUST REMAIN WITHIN DIMENSIONS		FSMITH	2015/01/09					
▽ = 0				A	C	DRAWING SIZE THIRD ANGLE PROJECTION		DOCUMENT NUMBER		DOC TYPE	DOC PART	SHEET NUMBER
									436800004	PSD	000	1 OF 1