

**Technical specification:**

Rated voltage: 4,75 - 5,25 V DC  
 Degree of protection: IP 67 with M12x1  
 IEC 60529 IP 40 with D-Sub  
 Temperatur range: -25°C ... +60°C  
 IEC 60664-1  
 Mating cycles: >=100  
 IEC 60512-9a  
 D-Sub male connector: with connectable terminal resistor

**Materials:**

**M12x1:**

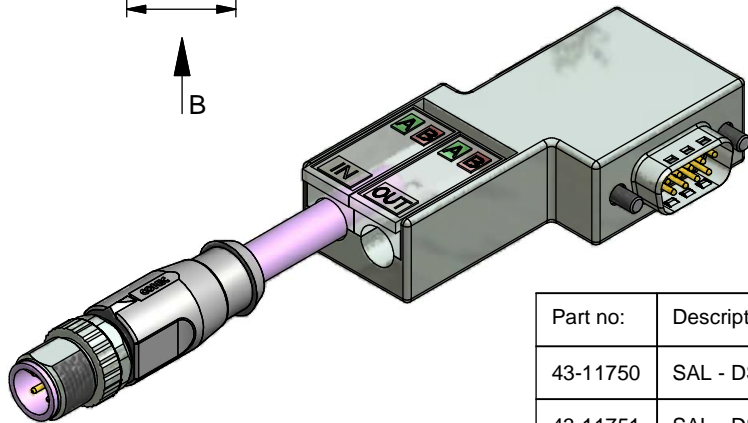
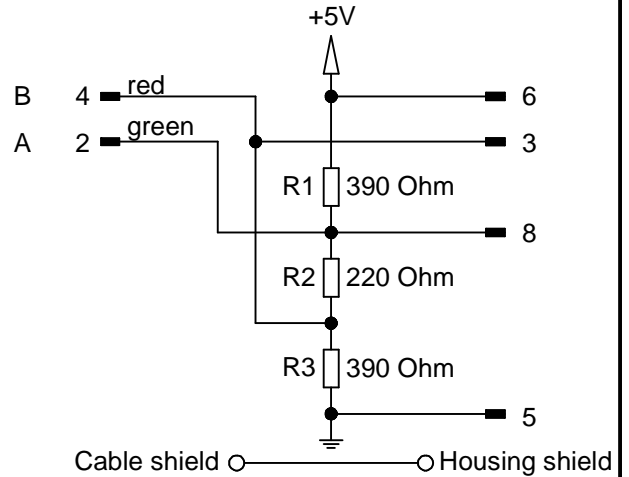
Contact: CuZn  
 Contact plating: Nickel, gold plated  
 Contact carrier: PBT GF, UL 94  
 Sealing: FPM  
 Coupling screw: GD-Zn, nickel plated  
 Moulding body: TPU, UL 94, grey

**D-Sub:**

Housing: Thermoplastic, chromed  
 Contact: IDC-contact CuSn, CuZn

**Installation specification:**

Recommended torque: 0,6 Nm  
 Conec installation tool: Torque wrench: 36-000200  
 Insert across flats 13: 36-000220



Part no:	Description:	Length L:	Cable:
43-11750	SAL - DS - SKSW9 - 12B - RS4.1 - 2 / G7	2m	TPE, UL, violet, 2xAWG24, suitable for drag chain Cable: 781-G70200
43-11751	SAL - DS - SKSW9 - 12B - RS4.1 - 3 / G7	3m	
43-11752	SAL - DS - SKSW9 - 12B - RS4.1 - 5 / G7	5m	

D see data sheet cable

DO NOT ALTER CAD DRAWING BY HAND	Directive 2002/95/EC RoHS compliant	Index: a 02.03.11 VF Ä3767 Coupling screw modified, spanner flats added, data sheet modified	dim. in mm	title: <b>Connecting cable, M12x1 - D-Sub 9pos angled with terminal resistor, PDP</b>	
		tolerance of cable: L ≤ 4m: L + 40mm L > 4m: L + 1%			
		THIS DRAWING MAY NOT BE COPIED OR REPRODUCED IN ANY WAY, AND MAY NOT BE PASSED ON TO A THIRD PARTY WITHOUT WRITTEN PERMISSION. OWNERSHIP AND COPYRIGHT OF CONEC GmbH			dwg no: <b>43K1A645</b>
					part no: <b>see table</b>