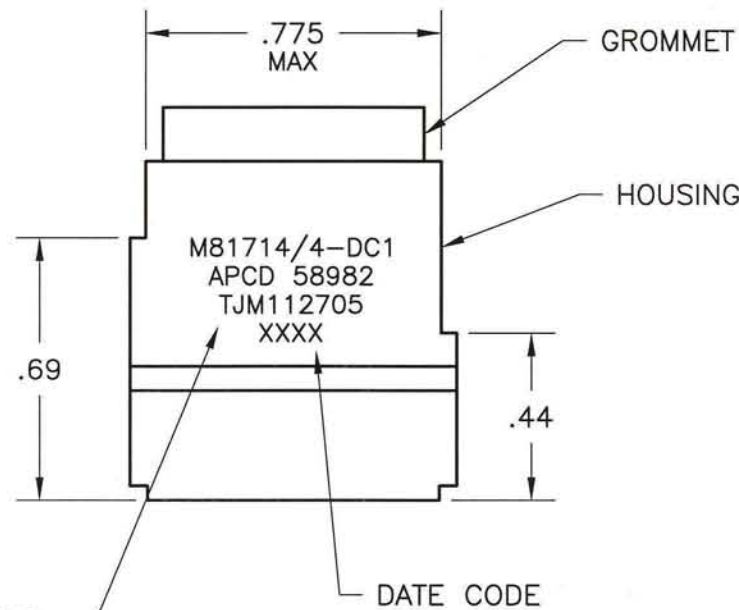
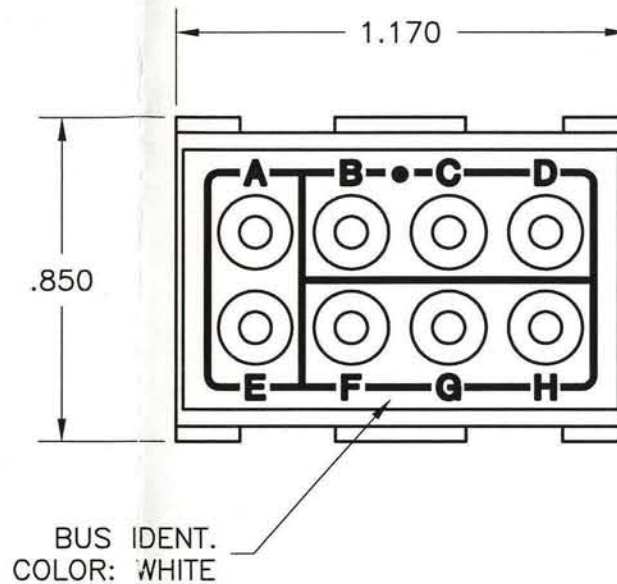


TJM112605

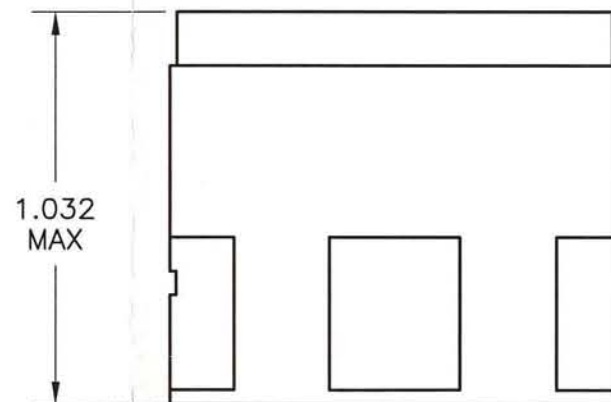
REV	ECN	APP'D
T	3232	JR 3/16/98
U	3305	JR 4/20/98
X	3309	JR 4/29/98
Y	-	
Z	5493	JT 8/2/04
AA	5510	JR 9/2/09

NOTES:

1. REQUIREMENTS:
 - A) MEETS PERFORMANCE AND ENVIRONMENTAL REQUIREMENTS OF MIL-T-81714/4 REV. F.
 - B) MODULES ARE TO BE MOUNTED INTO RACK ASSEMBLY M81714/5 OR /16 OR COMMERCIAL EQUIVALENT.
 - C) DIELECTRIC WITHSTANDING VOLTAGE: 1500VRMS, 2mA LEAKAGE, 25° C AT SEA LEVEL, CONTACT TO MOUNTING RACK.
 - D) OPERATING TEMPERATURE: -65 C TO 200° C.
2. MATERIALS:
 - A) HOUSING - POLYETHERIMIDE, COLOR: BLACK.
 - B) GROMMET - SILICONE ELASTOMER, COLOR: BLUE.
 - C) INTERNAL CONTACTS - COPPER ALLOY, GOLD PLATED
 - D) CONTACT RETAINERS - BERYLLIUM COPPER.
3. PIN CONTACT CRIMP AND INSTALLATION TOOLS ARE NOT INCLUDED. REQUIREMENTS BELOW ARE FOR REFERENCE ONLY.
 - A) PIN CONTACTS - SEE TABLE
 - B) CONTACT TOOLS -
 - CRIMP TOOL: M22520/1-01
 - POSITIONER: M22520/1-02, YELLOW
 - INSERTION/REMOVAL: M81969/14-04.
4. INSPECT PARTS PER APPLICABLE INSPECTION PLAN, TJM1126XX OR TJM1127XX.



WHITE MARKING
.062 HIGH
(MARKING TYP BOTH P/N)



PCD P/N	SUPPLIED	
	PIN CONTACT M39029/1-103	SEALING PLUG MS27488-12
TJM112605	NONE	NONE
TJM112705	NINE (9)	TWO (2)

DIMENSIONS ANSI Y14.5M UNITS: INCHES ACAD FILE	TOLERANCES .XX ± 01 .XXX ± 005 ANGLES ± 2°	PROJECTION 	Amphenol Pcd SPECIFICATION DRAWING		TITLE TERMINAL JUNCTION MODULE SZ-12 FEEDBACK, C1 BUS		
			ENGR A. PATRIE 8/8/95		SIZE B	DWG NO. TJM112605	REV AA
	THIS DOCUMENT CONTAINS PROPRIETARY INFORMATION WHICH IS THE CONFIDENTIAL PROPERTY OF AMPHENOL PCD INC. PEABODY, MA		CHKD A. PATRIE 6/12/01		CODE: 58982	SCALE: 2X	SHEET 1 OF 1
			APPD J. RUTKOWSKI 8/15/95				

TJM112605

TJM112605