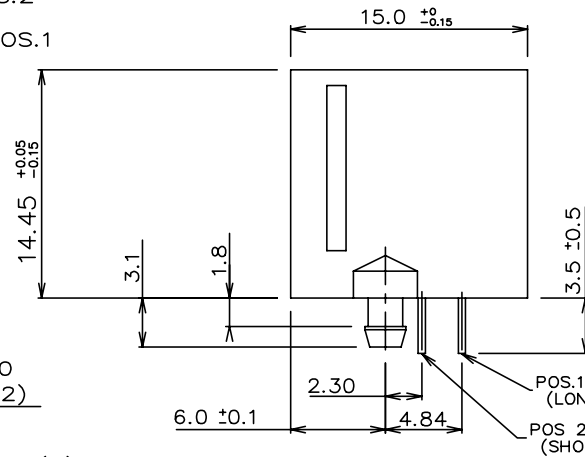
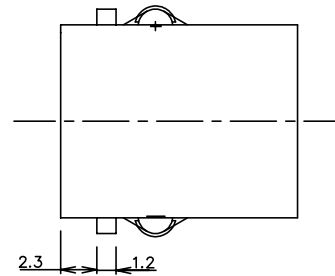
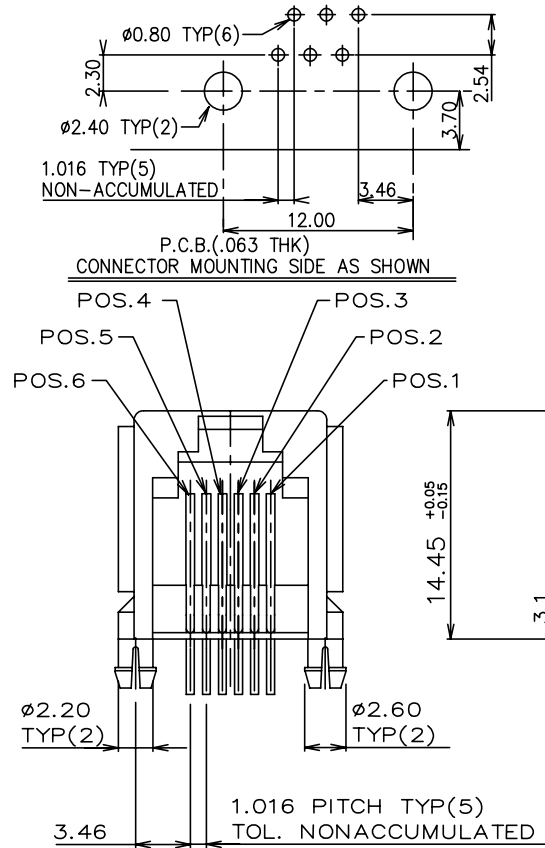
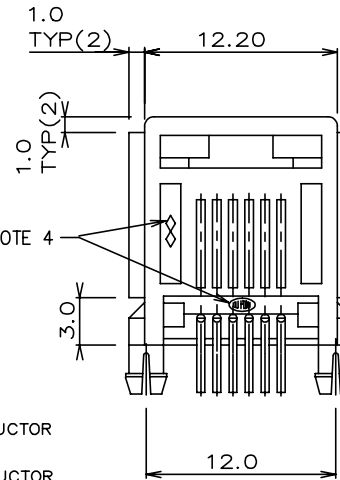


PRODUCT NO	CONDUCTOR TYP OF POS	CONDUCTOR ASS'Y POS NO	CONTACT PLATING	HOUS'G COLOR
86285-002/002LF	6/4	2,3,4,5	5u" Au + high performance lubricant	BLACK
86285-005/005LF	6/6	1,2,3,4,5,6	5u" Au + high performance lubricant	GRAY
86285-006/006LF	6/6	1,2,3,4,5,6	5u" Au + high performance lubricant	BLACK



NOTE:

- FOR VISUAL, MECHANICAL AND FUNCTIONAL REQUIREMENTS SEE PRODUCT SPEC. 110-042.
- HOUSING MAT'L: GLASS REINFORCED 66 NYLON ZYTEL-50, UL-94V-0.
- GOLD WIRE MAT'L: PHOS. BRONZE 0.46 DIA. PLATING: SEE TABLE PLATING OVER 100 U" NICKEL.
- A. STANDARD PACKAGING METHOD(USE TRAY): SEE GES-14-351.  
B. NON-STANDARD PACKAGING METHOD(USE TUBE): SEE GES-14-358.  
THE PART NO. SHOULD BE SUFFIXED WITH "T". (E.G.86285-001T)
- MATABLE PLUG: PLUG CONFORMED TO FCC TYPE 623.



mat'l. code		surface		tolerance		projection		product family	
		ISO1302		ISO1101 ISO406		mm		MOD JACK	
ltr	ecndr	date	angle	tolerances unless otherwise specified		scale		title	
D	T60025	CL 01/12/96	0°±2'	0.X±0.3		2.0		LOW PROFILE 6 POS. PCB MOD JACK	
E	T03-0443	WL 10/06/03		0.XX±0.15					
F	N05-0018	YS 01/28/05		0.XXX±0.05					
G	ELX-N-011017	SH MM 3/14/12	dr	KCHOU	03/27/92			dwg no 86285 sheet 1 of 1 size A4	
				engr	TONY CHIEN	03/27/92		FCI	
				chr	TONY CHIEN	03/27/92		type Product Customer Drawing	
				appd	JENN TSAO	03/27/92			
sheet	revising	G							
index	sheet	1							