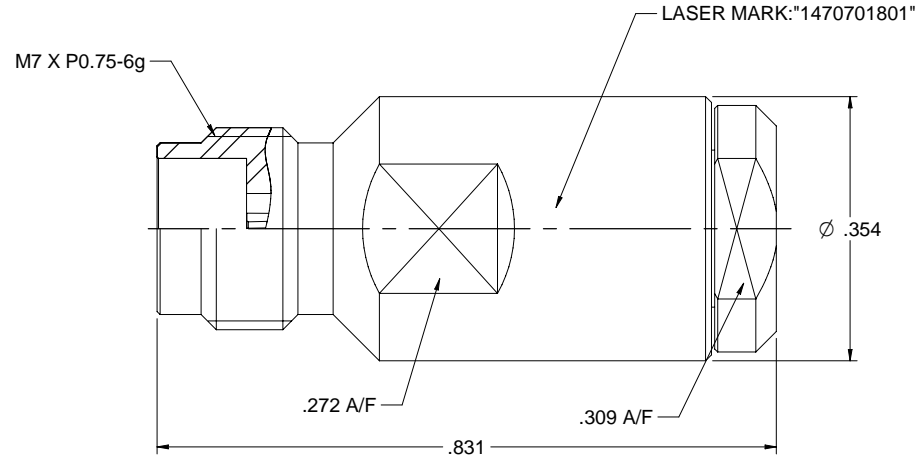


MODEL NO.	PACKAGING
147-0701-801	ONE PCS PER BAG

REV	ECO	DATE
001	ECO-17-0032	11/28/2017



NOTES: UNLESS OTHERWISE SPECIFIED

1. MATERIAL & FINISH:
 - 1.1 BODY, BOLT & NUT: PASSIVATED STAINLESS STEEL
 - 1.2 CONTACT PIN : GOLD PLATED BERYLLIUM COPPER
 - 1.3 INSULATOR: PEEK NATURAL
 - 1.4 BODY: GOLD PLATED BRASS
 - 1.5 RESISTOR: 50 OHMS $\pm 1\%$ 1/4 W
2. ELECTRICAL:
 - 2.1 IMPEDANCE: 50 OHMS
 - 2.2 FREQUENCY RANGE: 0-50 GHz
 - 2.3 RETURN LOSS: -20DB MAX
3. MECHANICAL:
 - 3.1 ENGAGEMENT/ DISENGAGEMENT FORCE: 0.23NM MAX
 - 3.2 DURABILITY: 500 CYCLES MIN
4. ENVIRONMENT:
 - 4.1 THERMAL SHOCK: MIL-STD-202, METHOD 107, CONDITION B.
 - 4.2 OPERATING TEMPERATURE: -55 TO 125°C
 - 4.3 SALT SPRAY: MIL-STD-202, METHOD 101, CONDITION B
 - 4.4 SHOCK: MIL-STD-202, METHOD 213, CONDITION I
 - 4.5 VIBRATION: MIL-STD-202, METHOD 204, CONDITION D
 - 4.6 MOISTURE RESISTANCE: MIL-STD-202, METHOD 106

	Model No. 147-0701-801	Johnson	
		Part# TERMINATION JACK.50 CHMS.2.4mm	
	RoHS21 2011/65/EU 100% COMPLIANT	Drawing No. 147-0701-801	Rev. 001
	XXXX + 02 XXXX + 01 ANGLES -15°	Drawn by Betty Yu Date: 10/19/2017	DO NOT SCALE DRAWINGS NONE Sheet 1 of 1