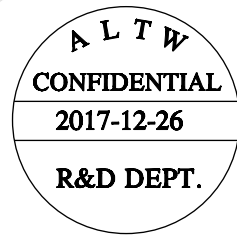
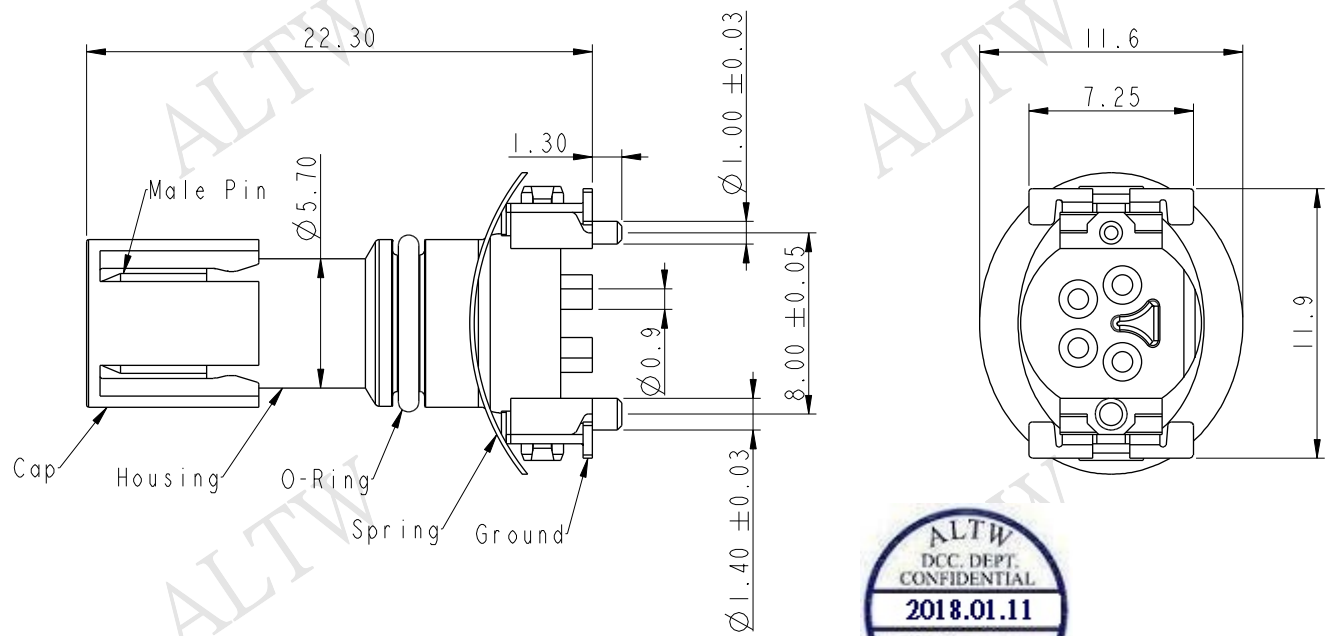


REV.	ECN NO.	DATE	SIGN	DESCRIPTION
A	Initial Release	2017/12/26	Jason Yu	New Item



M8S - XXPMMT - EE8001

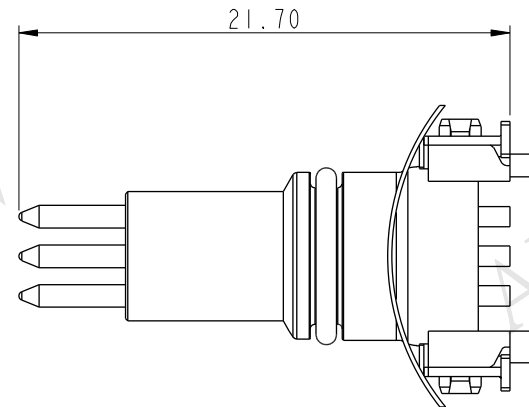
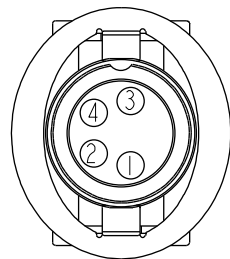
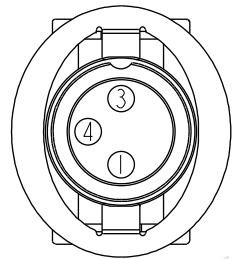
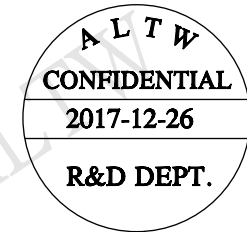
M8S: M8 Shield  
 03: 3Pin  
 04: 4Pin  
 P: Panel  
 M: Male Connector  
 M: Male Pin

001: Serial Number  
 8: IP68(Mated, 1M/24Hours)  
 IP65(Unmated)  
 E: None Back Shell  
 E: None Mating Style  
 T: SMT Type

Note:  
 \*  $\text{CC}$  Important Dimension to Check  
 Material Specification:  
 \* Housing: Thermoplastic  
 \* Male Pin: Copper Alloy, Gold Plated  
 \* Ground: Copper Alloy, Tin Plated  
 \* Spring: Stainless Steel  
 Electrical Specification:  
 \* Contact Resistance:  $10\text{m}\Omega$  (Max.)  
 \* Insulation Resistance:  $100\text{M}\Omega$  (Min.)  
 \* Dielectric Withstanding Voltage: 1KV  
 \* Rated Voltage: 60V d.c. or a.c.  
 \* Rated Current: 3A  
 Mechanical Specification:  
 \* Durability: 1000 Cycles (IEC:100 Cycles)  
 Environmental Specification:  
 \* Temperature Range:  $-55\sim+125^{\circ}\text{C}$   
 \* Salt Spray: 48 Hrs  
 \* SMT Temperature & Time:  $260^{\circ}\text{C} / 5 \text{ sec}$   
 \* SMT Paste : 0.12mm

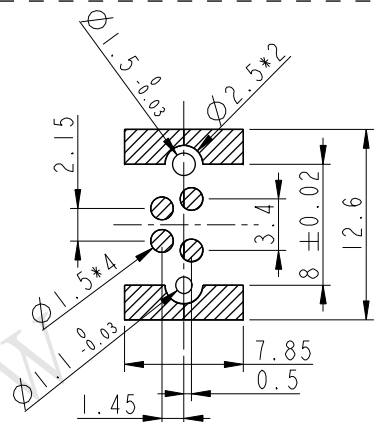
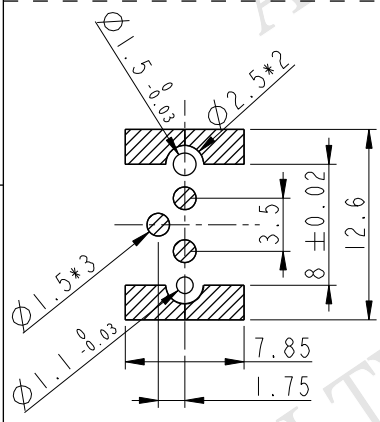
UNIT:mm			TITLE M8 M CONN M PIN SMT TYPE	ITEM NO	DRAWN BY Jason Yu	DATE 2017/12/26
TOLERANCE .X ±0.25 .XX ±0.1 .XXX ±0.05 ANGLES ±1°	SCALE 3:1	SIZE A4	SHEET 1 OF 4	DWG NO M8S-XXPMT-EE8XXX	CHECKED BY Arvin Chan	DATE 2017/12/26
REV. A	WC-REV. A.5	$\text{CC}$ : Inspection item	Amphenol LTW 安費諾亮泰企業股份有限公司		CUSTOMER ALTW	APPROVED BY Kevin Hu
2	3	4	5	6	7	8 WI0814-03-0001A1

THIS DOCUMENT IS SUBJECT TO CHANGE WITHOUT NOTICE. IT IS CONFIDENTIAL AND A PROPERTY OF AMPHENOL LTW. DISCLOSURE TO THIRD PARTY HAS TO BE AUTHORIZED BY AMPHENOL LTW.



3 Pin

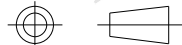
4 Pin



Recommended PCB Layout

Recommended PCB Layout

UNIT: mm



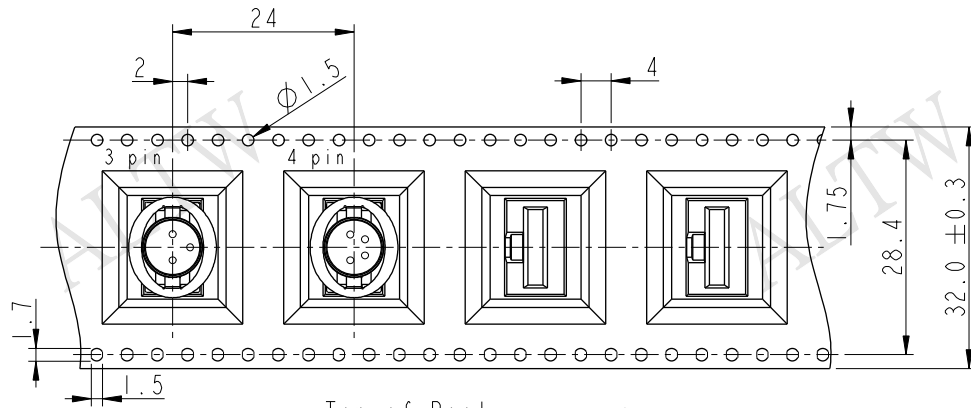
TITLE M8 M CONN M PIN SMT TYPE			
SCALE Free	SIZE A4	SHEET 2 OF 4	
REV. A	WC-REV. A.3	QC: Inspection item	

**Amphenol LTW**  
安費諾亮泰企業股份有限公司

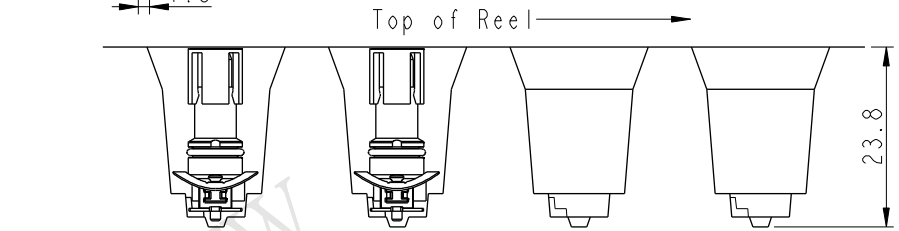
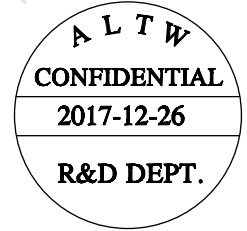
ITEM NO	DRAWN BY Jason Yu	DATE 2017/12/26
DWG NO M8S-XXPMMT-EE8XXX	CHECKED BY Arvin Chan	DATE 2017/12/26
CUSTOMER ALTW	APPROVED BY Kevin Hu	DATE 2017/12/26

THIS DOCUMENT IS SUBJECT TO CHANGE WITHOUT NOTICE. IT IS CONFIDENTIAL AND A PROPERTY OF AMPHENOL LTW. DISCLOSURE TO THIRD PARTY HAS TO BE AUTHORIZED BY AMPHENOL LTW.

Tape & Reel Information:

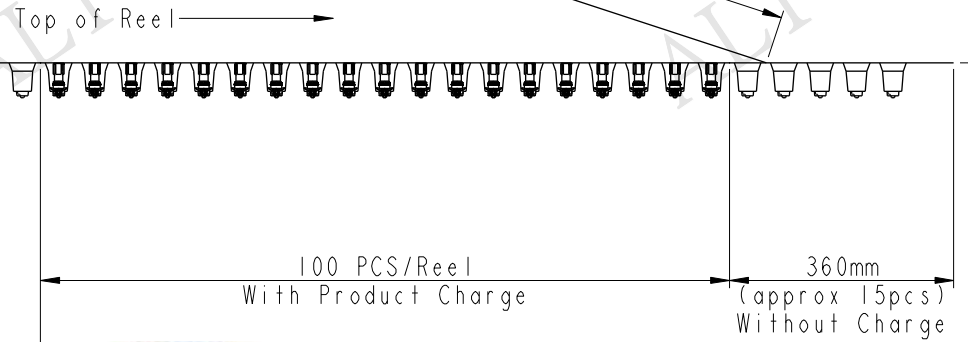
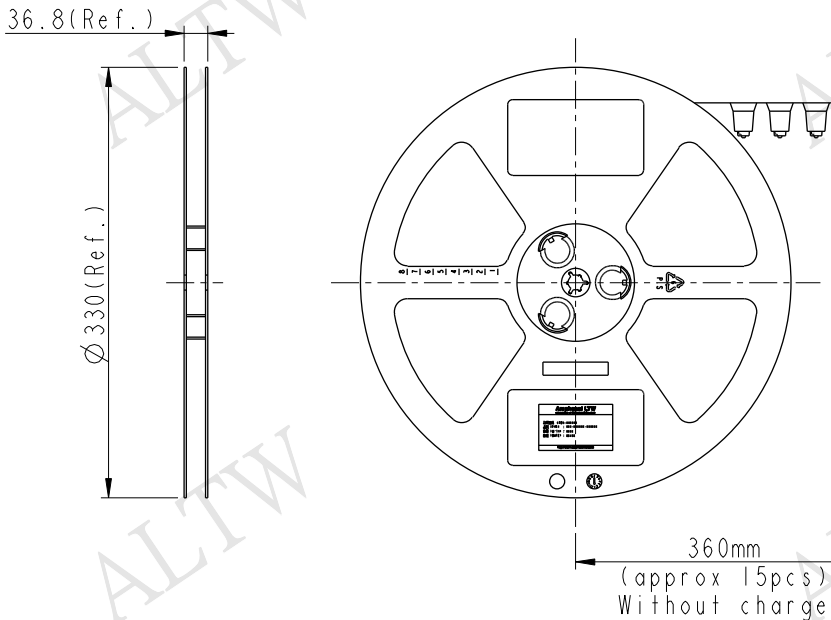


Note:  
\* (QC) Connector Orientation Follow Drawing



Wide Cover Tape Around  
Out Periphery 1 Turn

Peeling Strength 0.1~1.3N Max.  
(300±10mm/min)  
Peeling Angle 165~180°



UNIT: mm		
TOLERANCE	.X ±0.25	
	.XX ±0.1	
	.XXX ±0.05	
ANGLES	±1°	

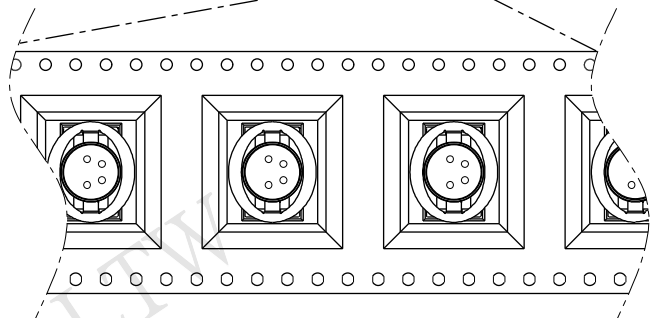
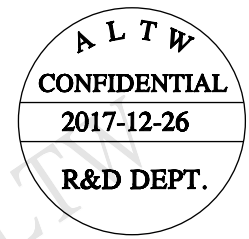
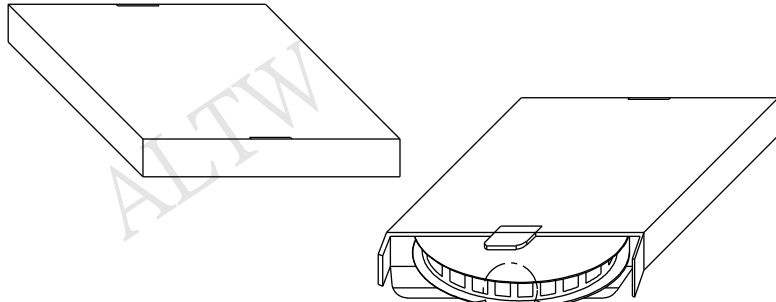
TITLE M8 M CONN M PIN SMT TYPE			
SCALE Free	SIZE A4	SHEET 3 OF 4	
REV. A	WC-REV. A.4	(QC): Inspection item	

**Amphenol LTW**  
安費諾亮泰企業股份有限公司

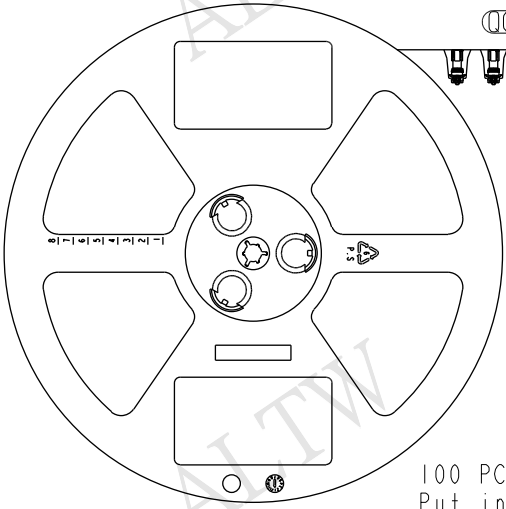
ITEM NO	DRAWN BY Jason Yu	DATE 2017/12/26
DWG NO M8S-XXPMT-EE8XXX	CHECKED BY Arvin Chan	DATE 2017/12/26
CUSTOMER ALTW	APPROVED BY Kevin Hu	DATE 2017/12/26

THIS DOCUMENT IS SUBJECT TO CHANGE WITHOUT NOTICE. IT IS CONFIDENTIAL AND A PROPERTY OF AMPHENOL LTW. DISCLOSURE TO THIRD PARTY HAS TO BE AUTHORIZED BY AMPHENOL LTW.

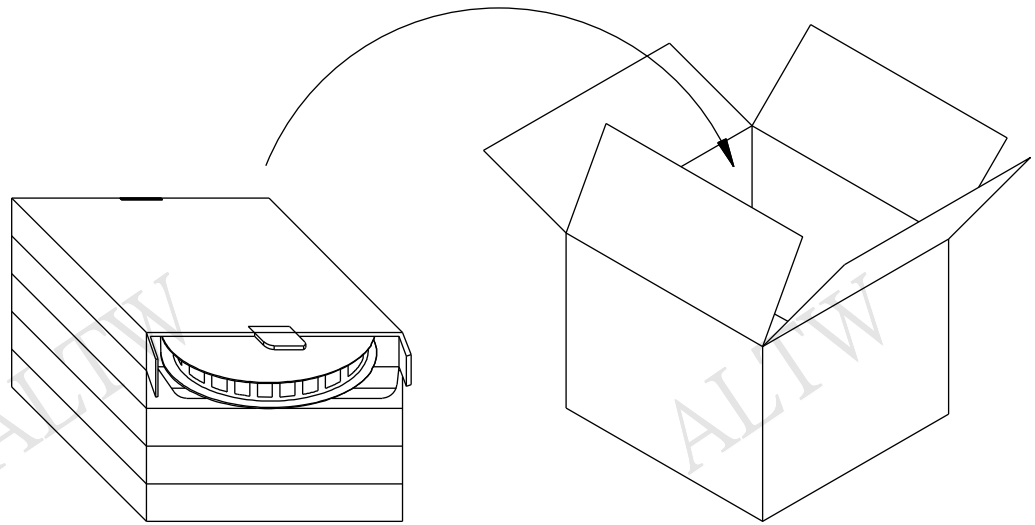
Package:



出料方向 →



100 PCS(Connector)/Tape&Reel,  
Put in a Box



One Carton can put in the 5PCS(Max.) Box  
(500 PCS/Carton)

UNIT: mm	
TOLERANCE	
.X	±0.25
.XX	±0.1
.XXX	±0.05
ANGLES	±1°

TITLE M8 M CONN M PIN SMT TYPE			
SCALE	SIZE	SHEET	OF
Free	A4	4	4
REV.	WC-REV.	QC: Inspection item	
A	A.3		

**Amphenol LTW**  
安費諾亮泰企業股份有限公司

ITEM NO	DRAWN BY	DATE
	Jason Yu	2017/12/26
DWG NO	CHECKED BY	DATE
M8S-XXPMMT-EE8XXX	Arvin Chan	2017/12/26
CUSTOMER	APPROVED BY	DATE
ALTW	Kevin Hu	2017/12/26

THIS DOCUMENT IS SUBJECT TO CHANGE WITHOUT NOTICE. IT IS CONFIDENTIAL AND A PROPERTY OF Amphenol LTW. DISCLOSURE TO THIRD PARTY HAS TO BE AUTHORIZED BY Amphenol LTW.