

Standstill monitoring unit

Safe Standstill monitoring unit based on Back-EMF operation for two- and three-phase systems.

- Ready to use – covering all standard applications without additional setup
- Easy integration in star- and delta wiring
- Clear LED diagnosis of all in- and output signals for easy maintenance
- Applicable up to Safety Category 4 according to EN954-1



Ordering information

Safety standstill monitoring unit

Safety outputs ^{*1}	Auxiliary outputs ^{*1}	Power input Rated supply voltage	Terminal block type	Order code
Instantaneous				
3 (Semi-conductors)	2 (Semi-conductors)	24 VDC	Screw terminals	G9SX-SM032-RT
			Spring-cage terminals	G9SX-SM032-RC

^{*1} PNP transistor output

Specifications

Ratings of non-contact door switch controllers

Power input

Item	G9SX-SM032-__
Rated supply voltage	24 VDC

Inputs

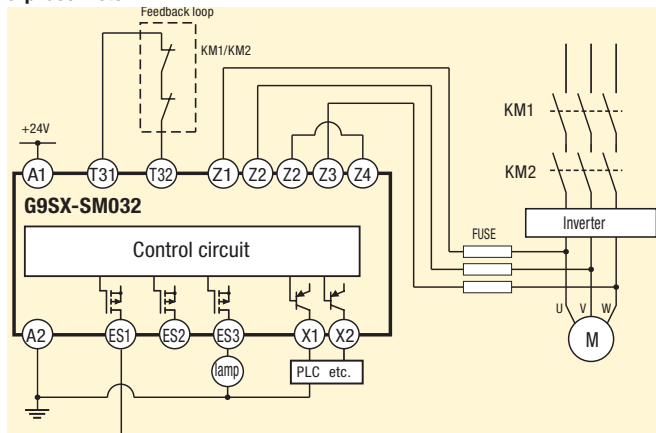
Item	G9SX-SM032-__
Input Voltage	Standstill detection input (Z1-Z2/Z3-Z4) AC 415 Vrms + 10% max.
Maximum power supply frequency for AC induction motor	60 Hz max.
Internal impedance	Standstill detection input: approx. 660 kΩ EDM input: approx. 2.8 kΩ

Outputs

Item	G9SX-SM032-__
Safety Standstill detection output	Sourcing output (PNP) Load current: 300 mA DC max.
Auxiliary output	Sourcing output (PNP) Load current: 100 mA DC max.

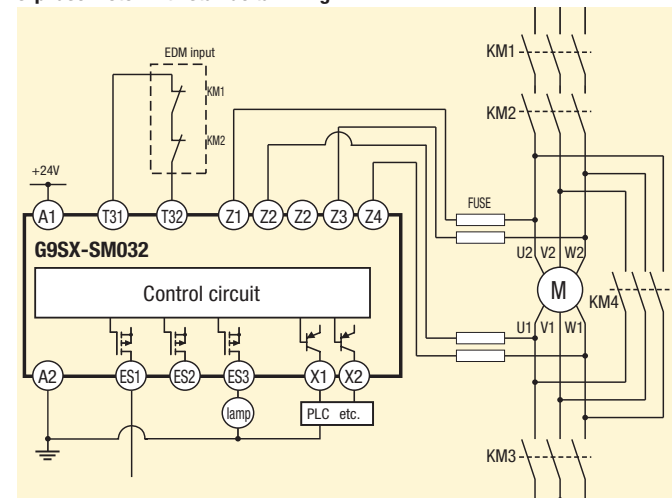
Application example

3-phase motor



Standstill detected

3-phase motor with star-delta wiring



Standstill detected