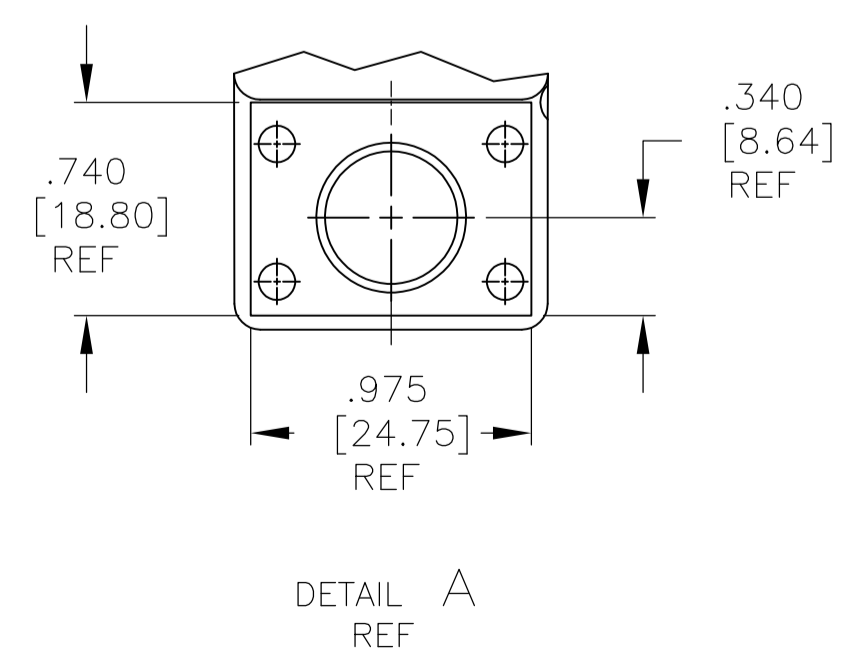
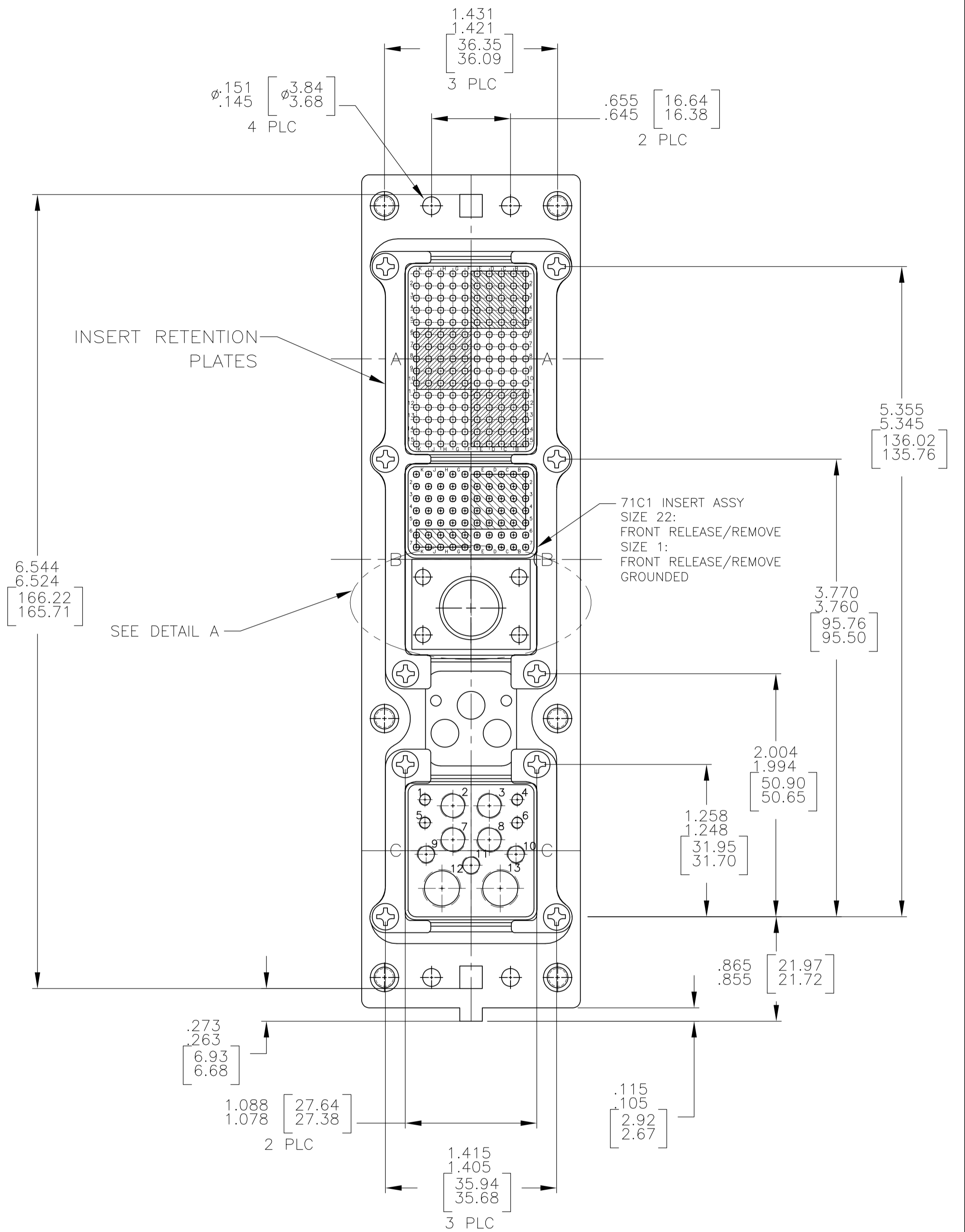
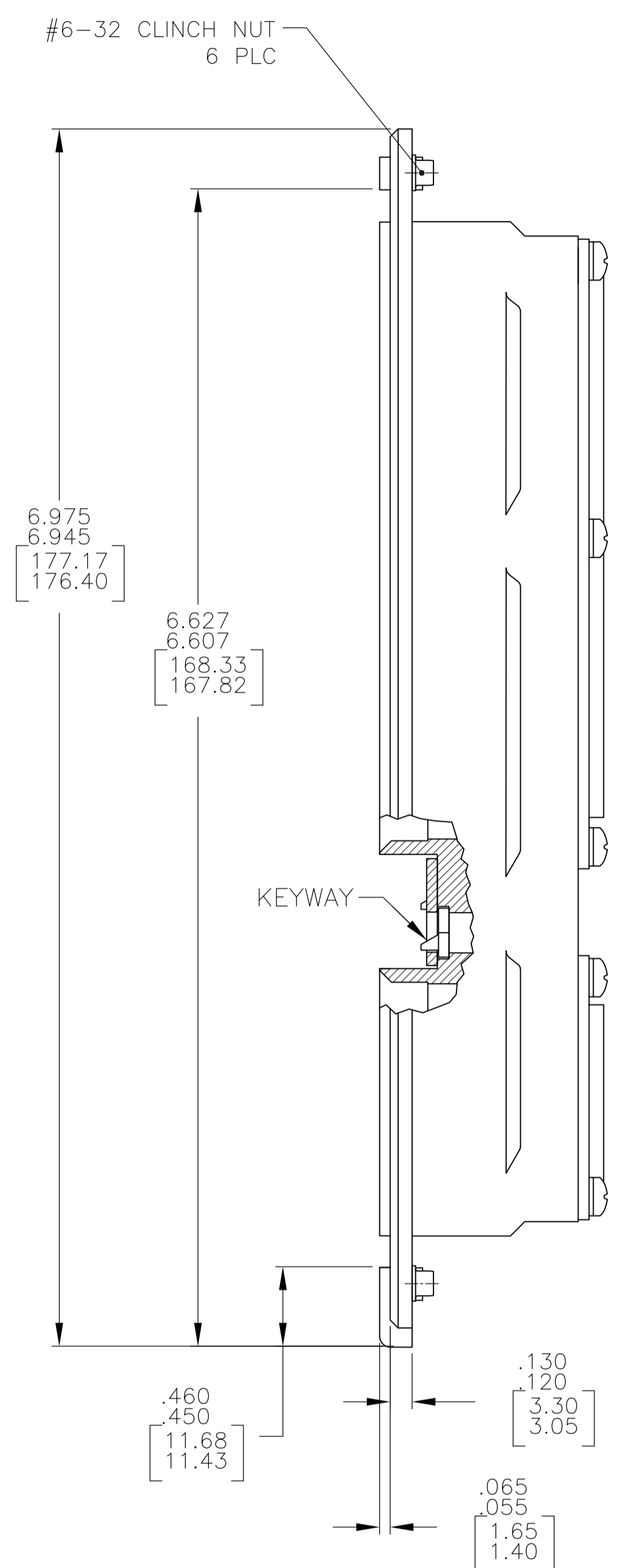
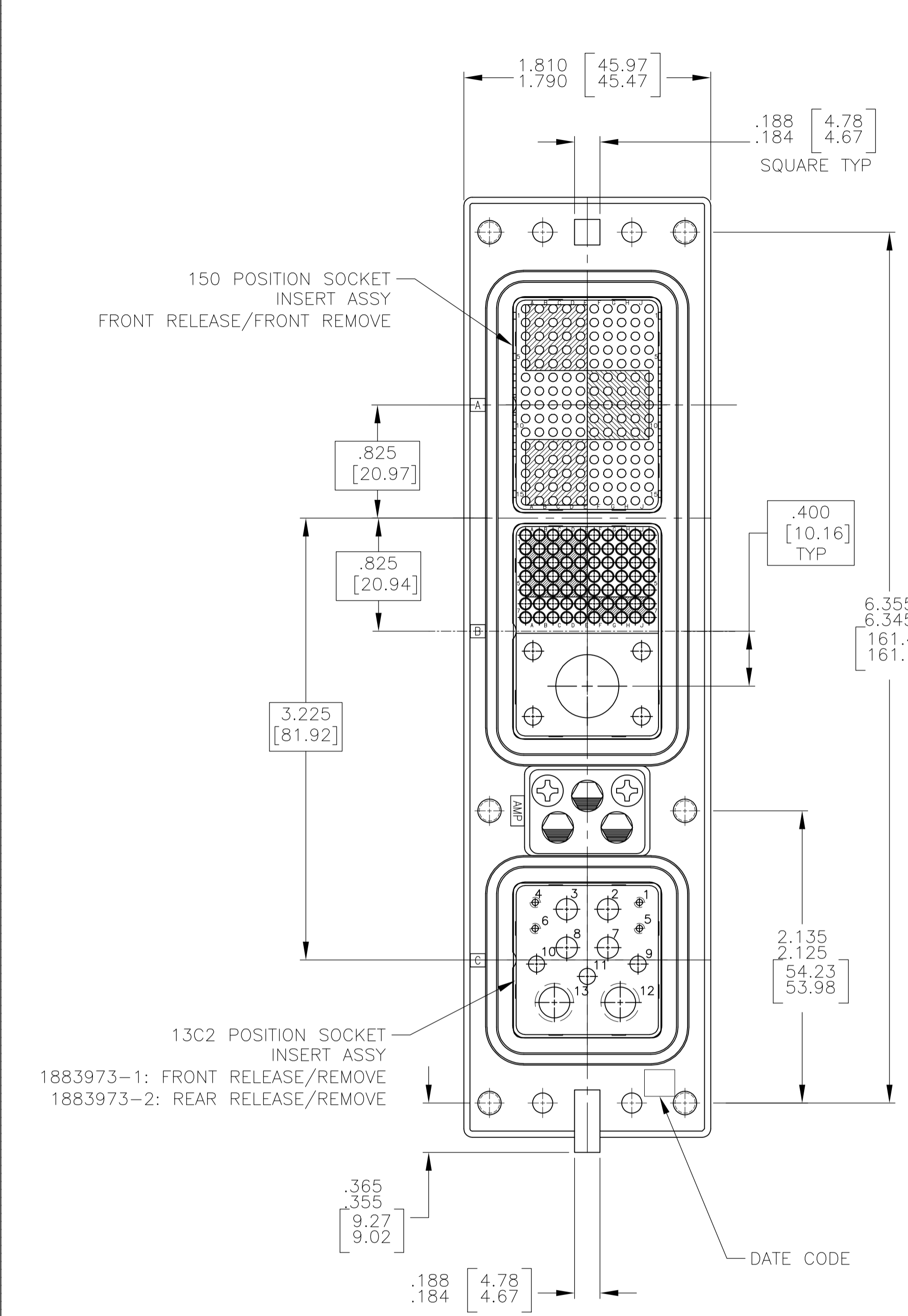


REVISONS		DATE	BY	APPV
C	REVISED PER CUSTOMER REQUEST	10-28-09	CT	KT



- CONNECTOR DIMENSIONS ARE PER ARINC 600 SPECIFICATION.
- CONNECTOR IS SUPPLIED WITH A DUST COVER INSTALLED; NOT SHOWN.
- KEYING SHOWN IN POSITION "01" FOR ILLUSTRATION ONLY. CONNECTORS SHIPPED WITH KEYING INSTALLED IN POSITION PER TABLE. FOR POSITION "00" KEYING HARDWARE SHIPPED UNASSEMBLED.

COMPONENT	MATERIAL	FINISH
SHELL	DIE CAST ALUMINUM PER ASTM-B-85	ELECTROLESS NICKEL PER MIL-C-26074
INSERT RETENTION PLATES	ALUMINUM ALLOY PER ASTM-B-209	ELECTROLESS NICKEL PER MIL-C-26074
SCREWS AND LOCKWASHERS	STEEL OR STAINLESS STEEL	CHROMATE OVER ZINC OR PASSIVATED
POLARIZING KEYS	ZINC ALLOY PER ASTM-B-86	-
POLARIZING KEY RETAINING PLATE	ALUMINUM ALLOY PER ASTM-B-209	BLUE ANODIZED PER MIL-A-8625
INSERTS	THERMOSET OR THERMOPLASTIC PPS PER MIL-M-24519	-
SIZE 1 INSERT	ALUMINUM ALLOY PER ASTM-B-209	ELECTROLESS NICKEL PER MIL-C-26074

REAR RELEASE/REMOVE	KEYING POSITION	PART NUMBER
"00"	"00"	1883973-2
FRONT RELEASE/REMOVE	"00"	1883973-1

THIS DRAWING IS A CONTROLLED DOCUMENT.

DIN: C.C.THOMAS 5-21-08
 CHK: K.THACKSTON 5-21-08
 APVD: K.THACKSTON 5-21-08

Tyco Electronics Corporation
 Harrisburg, Pa 17105-3608

RCPT ASSY, SIZE 2, ARINC 600 (150/71C1/13C2)

SIZE: A1
 CAGE CODE: 00779
 DRAWING NO: 1883973

CUSTOMER DRAWING SCALE: 3:2 SHEET: 1 OF 1 REV: C