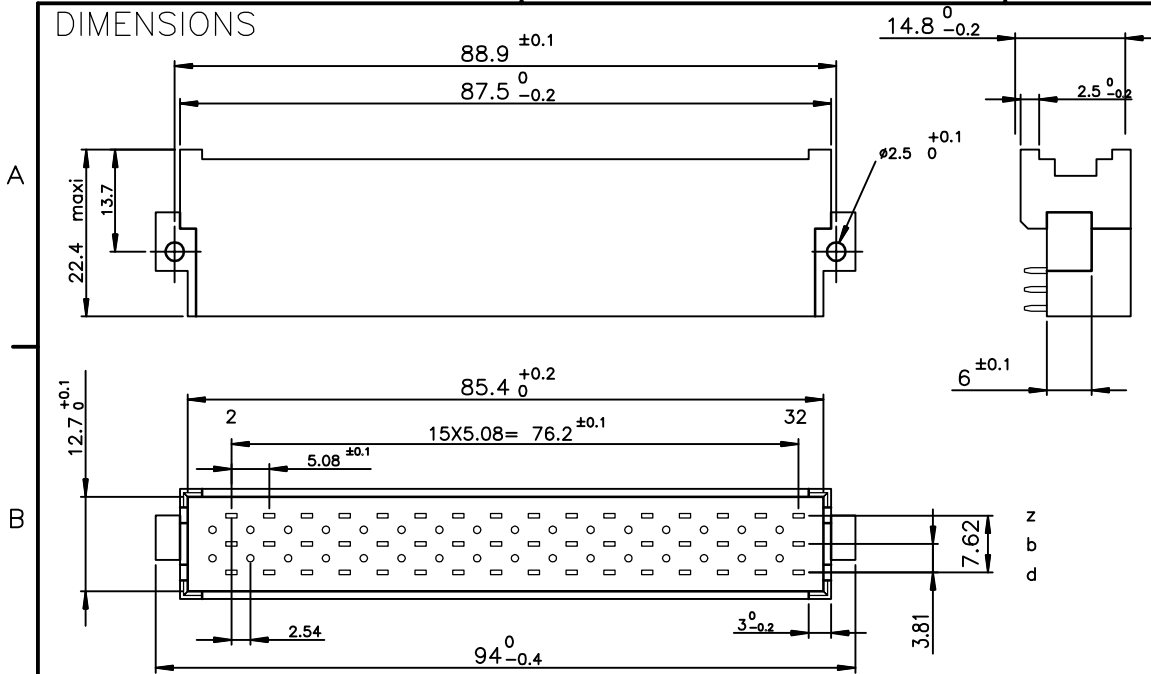


DIMENSIONS



ELECTRICAL DATA

-Current at AMB.	5.5 A at 20° / 4 A at 70°
-Contact resistance	≤15mΩ according to DIN 41640 Teil 4 test 2a
-Insulation resistance	≥ 10 MΩ according to DIN 41640 teil 7 test 3a
-TEST VOLTAGE	according to DIN 41640 teil 21
contact/contact	1550 V
contact/ground	2500 V

MECHANICAL DATA

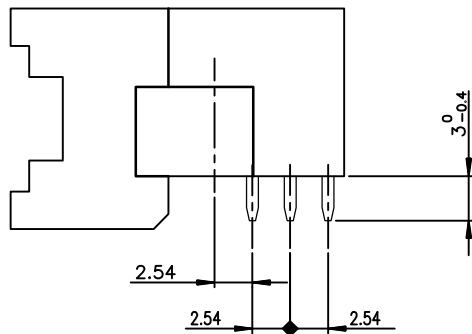
-Insertion force	≤75N
-Mechanical endurance	500 matings unmatings according to DIN41640 teil 21
-Material insulator	Polycarbonate UL94V1
-Material contacts	Copper alloy
-Finishing contact surface	Gold over nickel lead-free
-Finishing termination	Tin lead or Lead-Free
-Shock	≤30m/s according to DIN 41640 Teil 14 test 6c
-Vibration	10-2000Hz/20g according to DIN 41640 Teil 15

ENVIRONMENTAL DATA

-Climatic category	According to DIN 41612 - class 1
-Corrosion	According to DIN 41612 - class 1

PERFORMANCES AS PER DIN 41612 STYLE F CLASS 1

TERMINATION

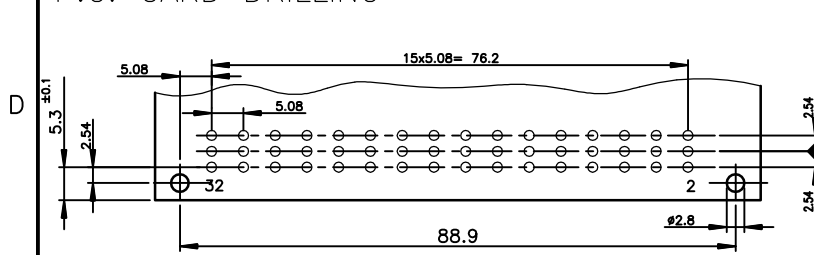


NOTE RoHS INFORMATION

- The "LF" products meet European Union Directives and other country regulations as described in GS-22-008.
- The housing will withstand exposure to 260°C peak temperature for 3.5 seconds in a wave solder application with a 1.6mm minimum thick circuit board.
- For the right angled versions, like the current leaded versions, it's recommended to use high temperature adhesive or metallic device, to protect the nearest plastic part in contact with of the solder wave, to avoid any visual plastic deterioration.

LEAD-FREE PART-NUMBER
5159009486394111LF

P.C. CARD DRILLING



rev	ecn no	dr	date
A	-	-	-
B	LS05-0119	JOU	2005/12/13
C	LS06-0022	LGO	2006/02/21
D	LS06-0097	LGO	2006/07/26
E	LS07-0288	LGO	2007/11/19
F	F10-0214	APA	2010/10/10
G	F12-0053	APA	2012/05/07

www.fciconnect.com		surface ISO 1302 ✓	tolerance std ISO 406 ISO 1101	projection mm
TOLERANCES UNLESS OTHERWISE SPECIFIED				
Dr	PESSON	2006/02/21	ANGULAR	LINEAR
Eng	PESSON	2006/02/21	0.XX ±2'	0.X ±0.1 0.XX ±0.1 0.XXX ±0.1
Chr	LEGARE	2006/02/21	Product family	DIN POWER 5159
Appr	LEGARE	2006/02/21	Spec ref	-
title MALE CONNECTOR 3 ROW			size A3	
48 CONTACTS			Scale 1.5	
catalog no			ECN F12-0053	
FCJ			Rev. G	
dwg no			CUSTOMER sheet 1 of 1	
-			-	

Copyright FCI